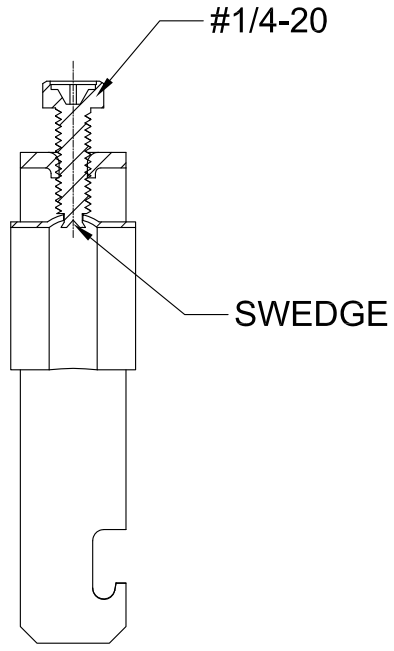
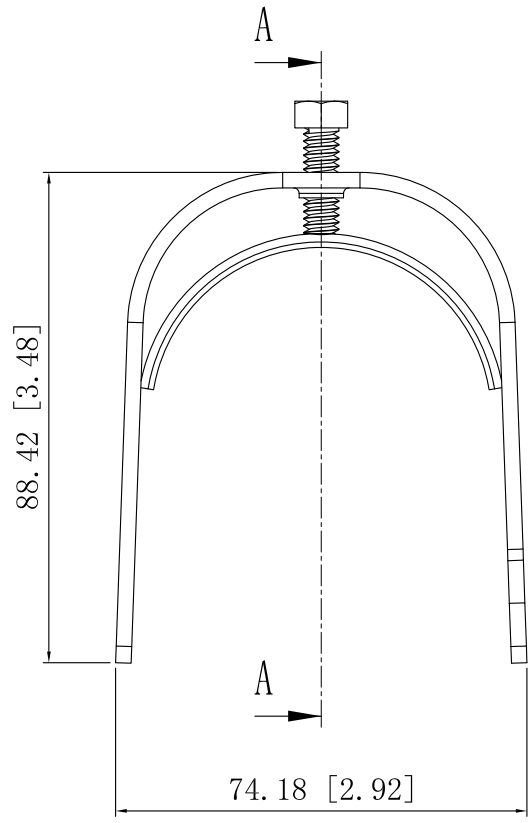
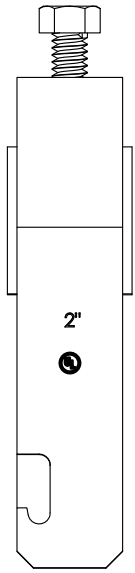
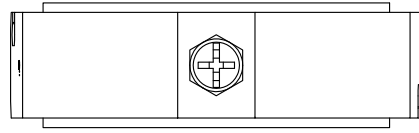
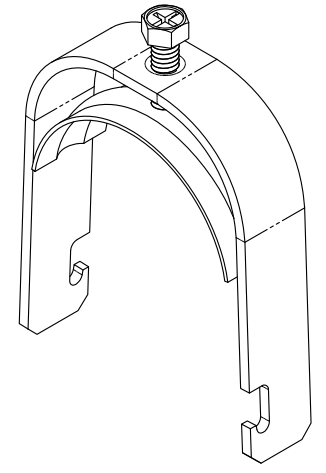


SIDES	BOTTOM

Material: Steel-(0.104"-0.110")-Galvanized or C.R.S and zinc plated



CUTAWAY VIEW A-A



DESCRIPTION
TRADE REFERENCE TERMS

This data sheet is for reference only .SINO AMPLE reserves the right to make changes to the design without prior notice.

STANDARD PACKING	ZHUJI SINO AMPLE METAL PRODUCTS CO., LTD.		
25 PCS	TITLE ONE-PIECE STRUT CLAMPS		
	SIZE A4	DWG NO. SAOPSC-200R	REV A
DATA SHEET			