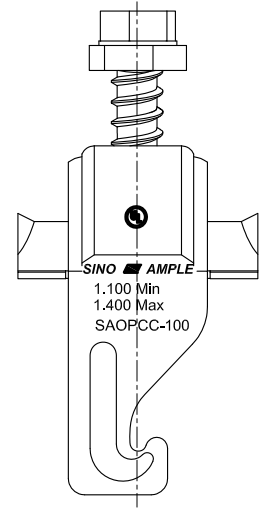
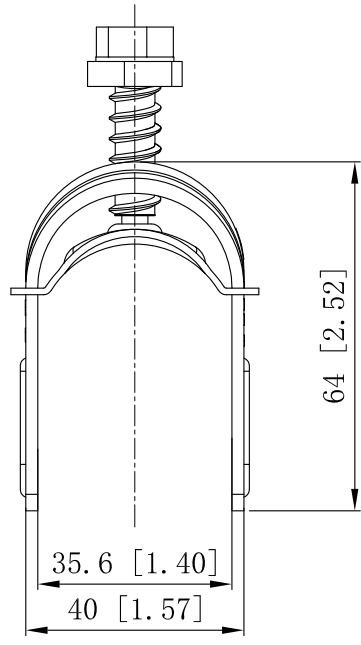
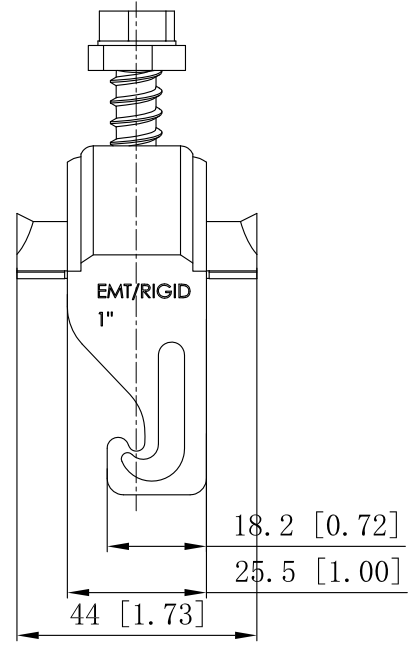
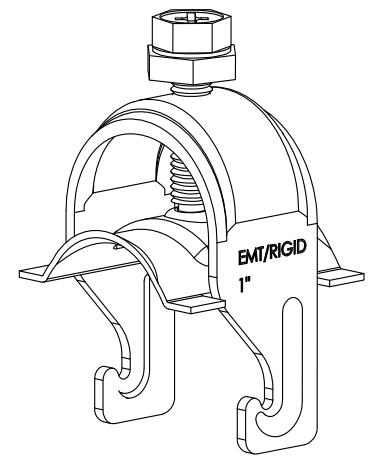
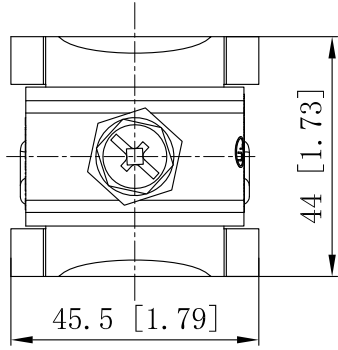


|                                       |        |
|---------------------------------------|--------|
| SIDES                                 | BOTTOM |
|                                       |        |
|                                       |        |
|                                       |        |
| 1 PCS #5/16-18 Hex Nut Installed      |        |
| 1 PCS #5/16-18×1-1/4 Screws Installed |        |
| Material:Steel-0.0866"-G60 Galvanized |        |



This data sheet is for reference only .SINO AMPLE reserves the right to make changes to the design without prior notice.

|                       |
|-----------------------|
| DESCRIPTION           |
|                       |
| TRADE REFERENCE TERMS |
|                       |

|                  |   |          |  |
|------------------|---|----------|--|
| STANDARD PACKING | ZHUJI SINO AMPLE METAL PRODUCTS CO., LTD. |          |  |
|                  | TITLE<br>One Piece Strut Clamp            |          |  |
| SIZE<br>A4       | DWG NO.<br>SAOPCC-100                     | REV<br>A |  |
| DATA SHEET       |   |          |  |