

SIDES

BOTTOM

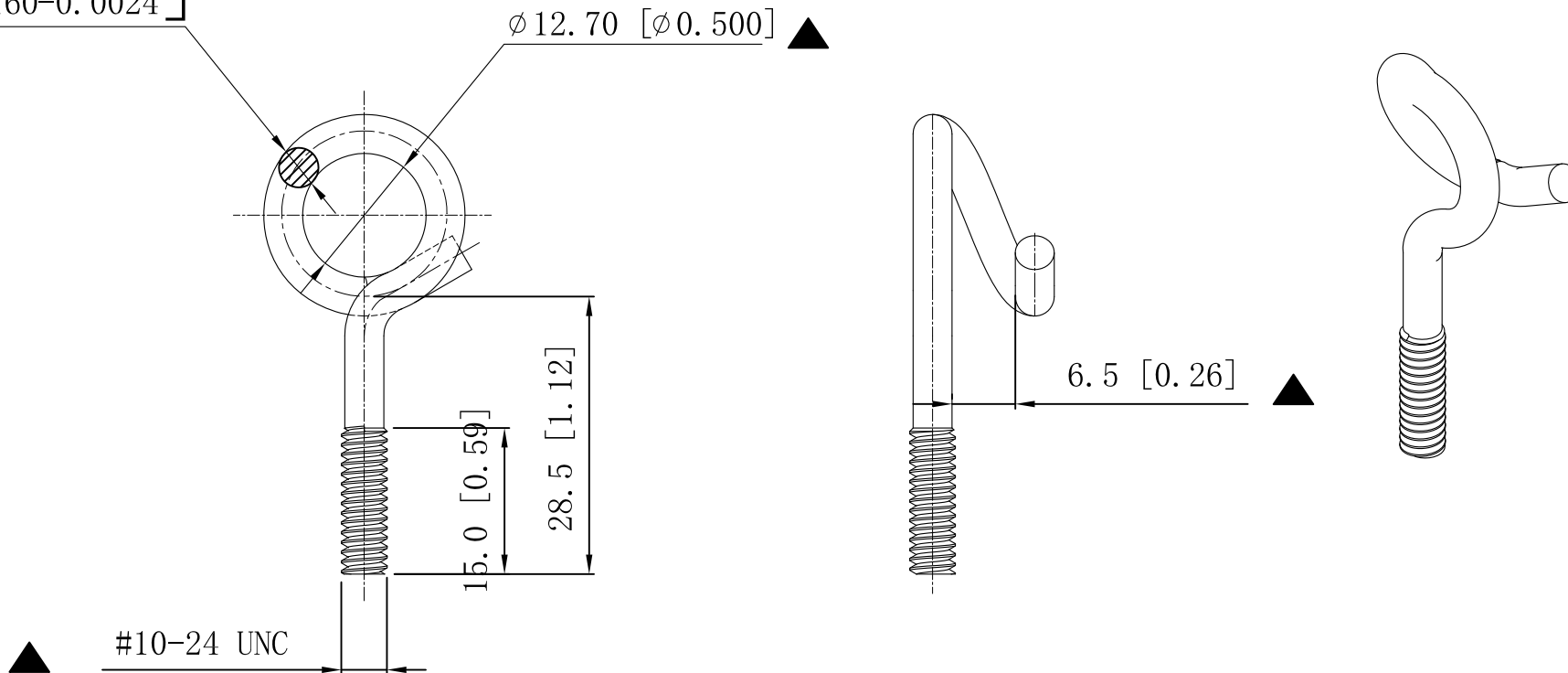
UL File #

E510054

Material: Steel-0.16"- (C1008-C1018) Zinc Plated

$\begin{matrix} +0.02 \\ \phi 4.06-0.06 \end{matrix} \left[\begin{matrix} +0.0008 \\ \phi 0.160-0.0024 \end{matrix} \right]$

$\phi 12.70 [\phi 0.500]$



DESCRIPTION

This data sheet is for reference only .SINO AMPLE reserves the right to make changes to the design without prior notice.

STANDARD PACKING

ZHUJI SINO AMPLE METAL PRODUCTS CO., LTD.

100 PCS

TITLE

MACHINE-SCREW BRIDLE RIGS

TRADE REFERENCE TERMS

SIZE

A4

DWG NO.

SABR-501024

REV

A

DATA SHEET