

SIDES

BOTTOM

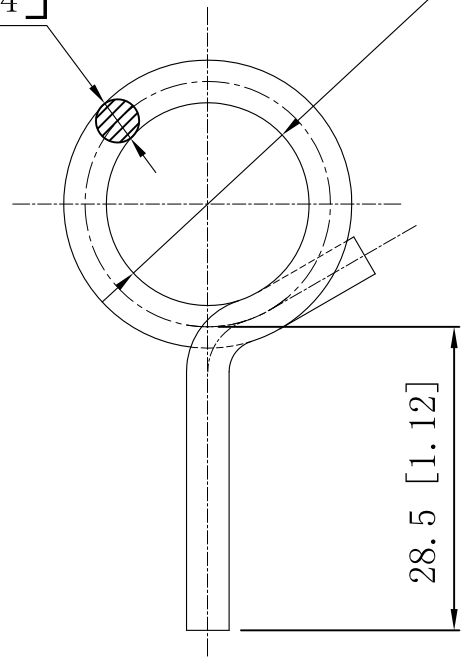
UL File #

E510054

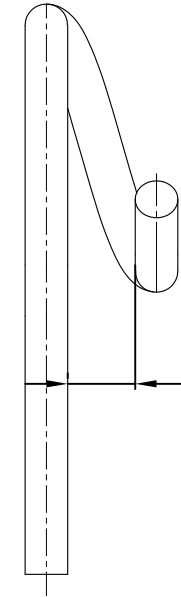
Material: Steel-0.16"-(C1008-C1018) Zinc Plated

+0.02  
ø 4.06-0.06 [ +0.0008  
ø 0.160-0.0024 ]

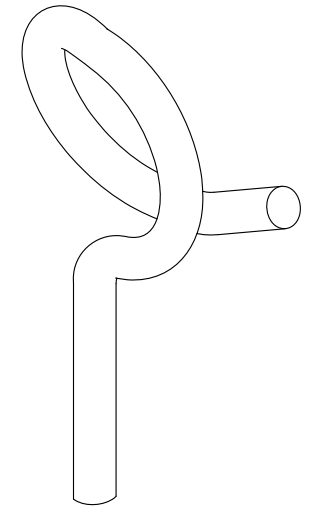
ø 19.05 [ø 0.750] ▲



28.5 [1.12]



6.3 [0.25] ▲



DESCRIPTION

This data sheet is for reference only .SINO AMPLE reserves the right to make changes to the design without prior notice.

STANDARD PACKING
100 Pcs

ZHUJI SINO AMPLE METAL PRODUCTS CO., LTD.		
TITLE		
MACHINE-SCREW BRIDLE RIGS		
SIZE	DWG NO.	REV
A4	SABR-7510NT	A
DATA SHEET		

TRADE REFERENCE TERMS