

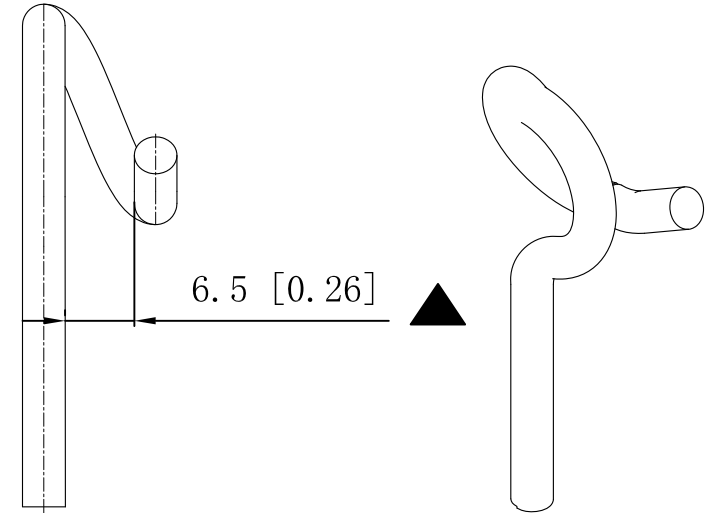
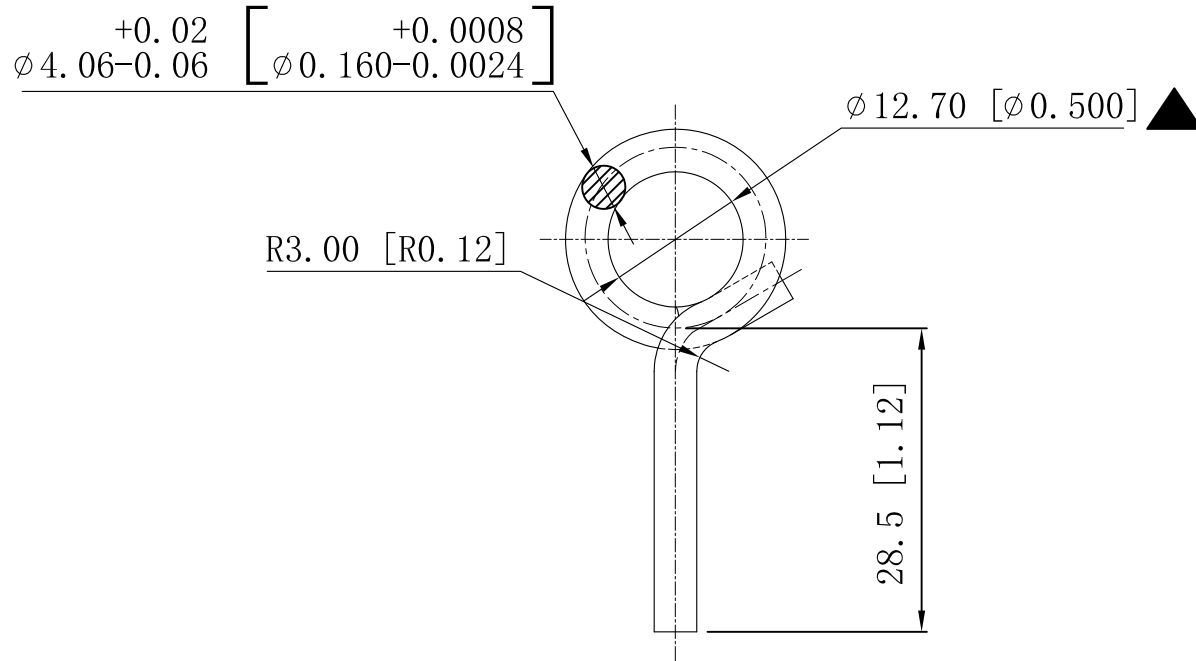
SIDES

BOTTOM

UL File #

E510054

Material: Steel-0.16"-(C1008-C1018) Zinc Plated



DESCRIPTION

TRADE REFERENCE TERMS

This data sheet is for reference only .SINO AMPLE reserves the right to make changes to the design without prior notice.

STANDARD PACKING

100 Pcs

ZHUJI SINO AMPLE METAL PRODUCTS CO., LTD.

TITLE

MACHINE-SCREW BRIDLE RIGS

SIZE

A4

DWG NO.

SABR-5010NT

REV

A

DATA SHEET