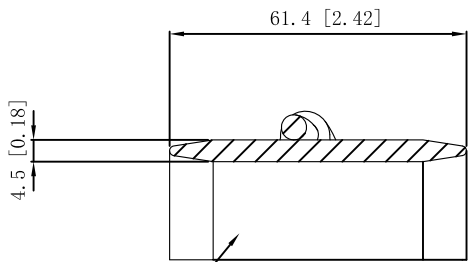
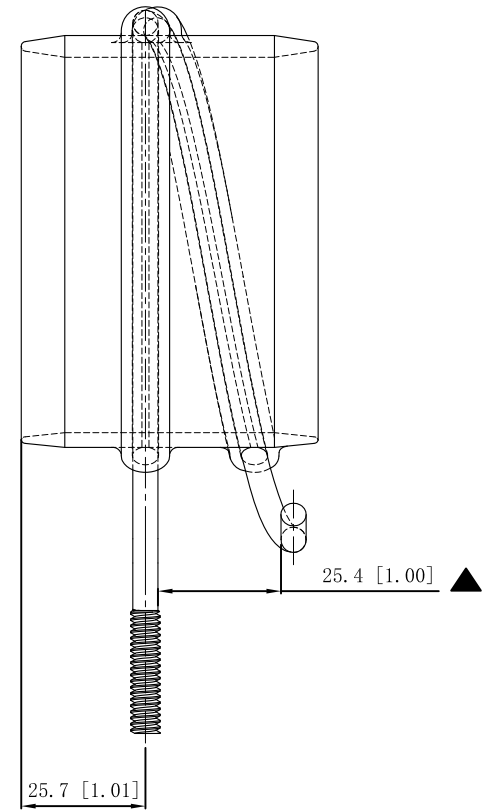
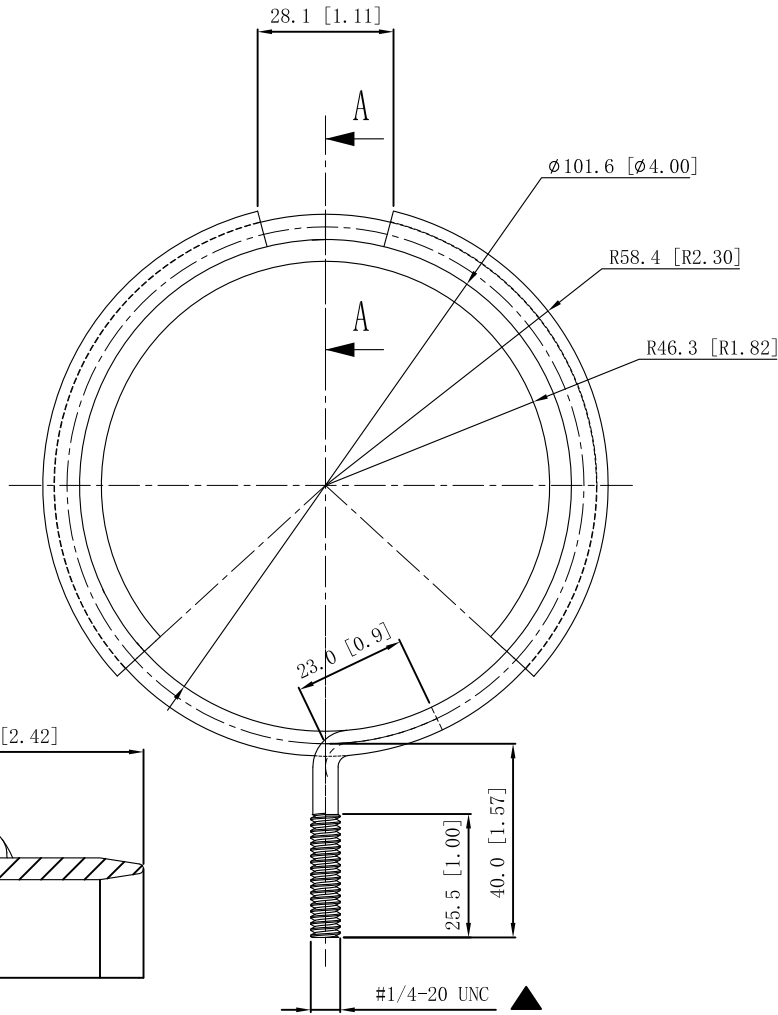
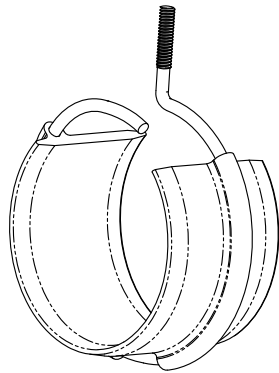


SIDES	BOTTOM

Material: Steel-□0.213"-(C1008-C1018) Zinc Plated



Material: PP (V-0) level of fireproof
CUTAWAY VIEW A-A

This data sheet is for reference only . SINO AMPLE reserves the right to make changes to the design without prior notice.

DESCRIPTION
TRADE REFERENCE TERMS

STANDARD PACKING	ZHUJI SINO AMPLE METAL PRODUCTS CO., LTD.		
50/PCS	TITLE BRIDLE RINGS WIRE HARNESS		
	SIZE A4	DWG NO. SABR-400-WH	REV A
	DATA SHEET		