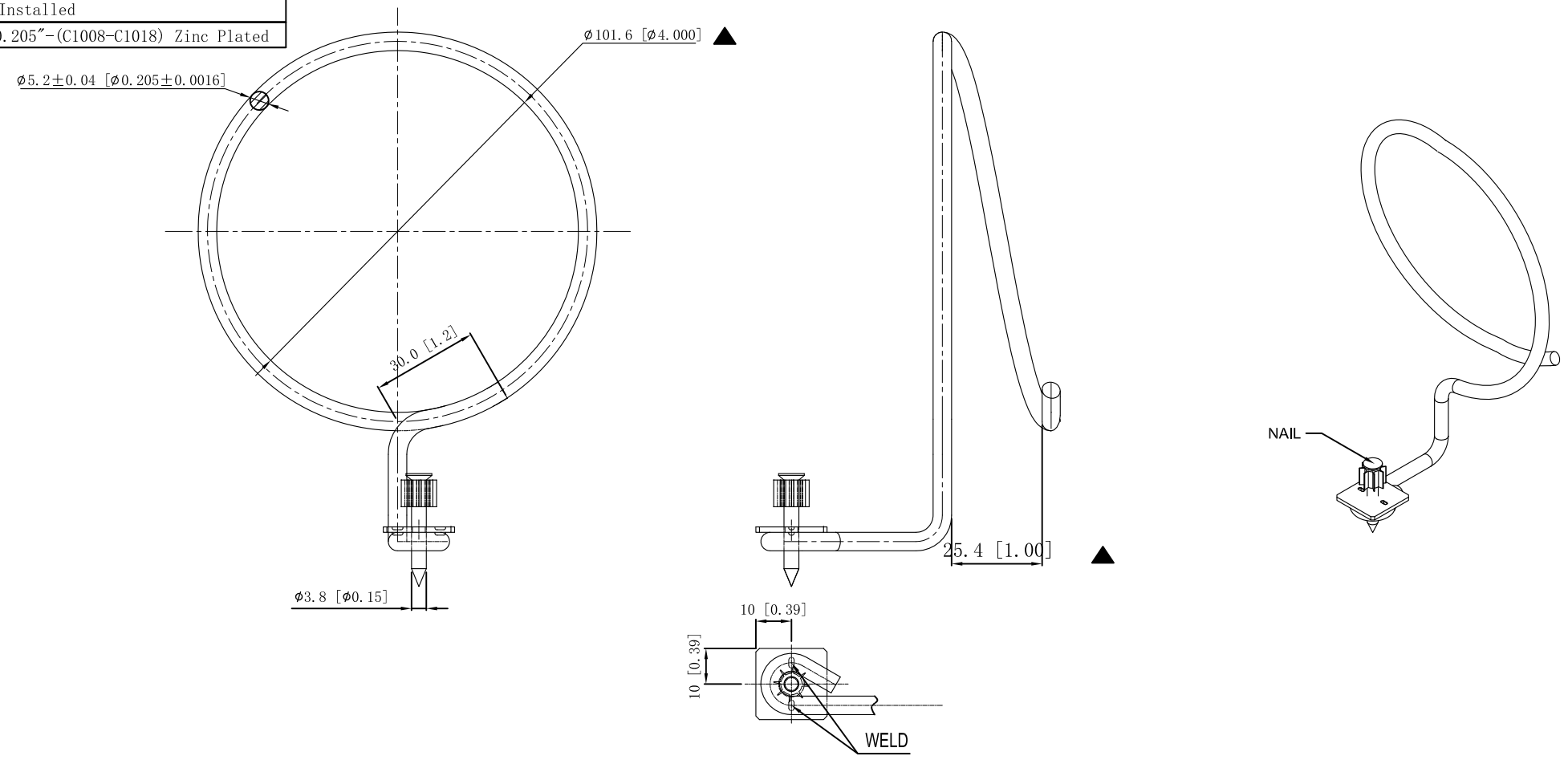


SIDES	BOTTOM
1 PCS 1-1/4 Nail Installed	
Material: Steel-0.205"-(C1008-C1018) Zinc Plated	



This data sheet is for reference only .SINO AMPLE reserves the right to make changes to the design without prior notice.

DESCRIPTION
Patent #: Pat. US 6,364,266 B1
TRADE REFERENCE TERMS

STANDARD PACKING	ZHUJI SINO AMPLE METAL PRODUCTS CO., LTD.		
50 PCS	TITLE QUICK-SHOT BRIDLE RINGS		
	SIZE A4	DWG NO. SABR-400-SSC	REV A
	DATA SHEET		