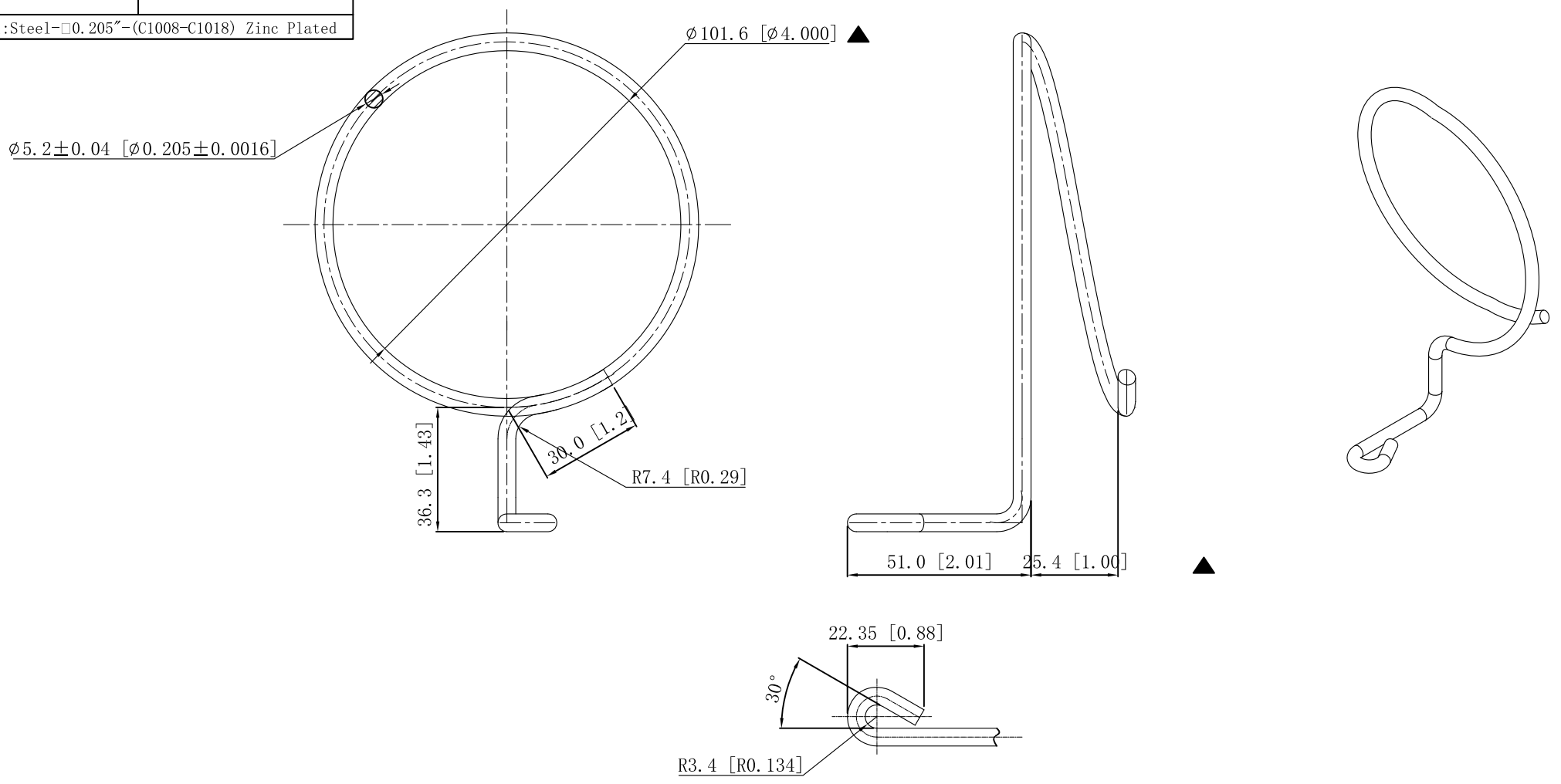


SIDES	BOTTOM
Material: Steel-□0.205"-(C1008-C1018) Zinc Plated	



This data sheet is for reference only .SINO AMPLE reserves the right to make changes to the design without prior notice.

DESCRIPTION
Patent #: Pat. US 6,364,266 B1
TRADE REFERENCE TERMS

STANDARD PACKING	ZHUJI SINO AMPLE METAL PRODUCTS CO., LTD.		
100 PCS	TITLE QUICK-SCREW BRIDLE RINGS		
	SIZE A4	DWG NO. SABR-400NP	REV A
	DATA SHEET		