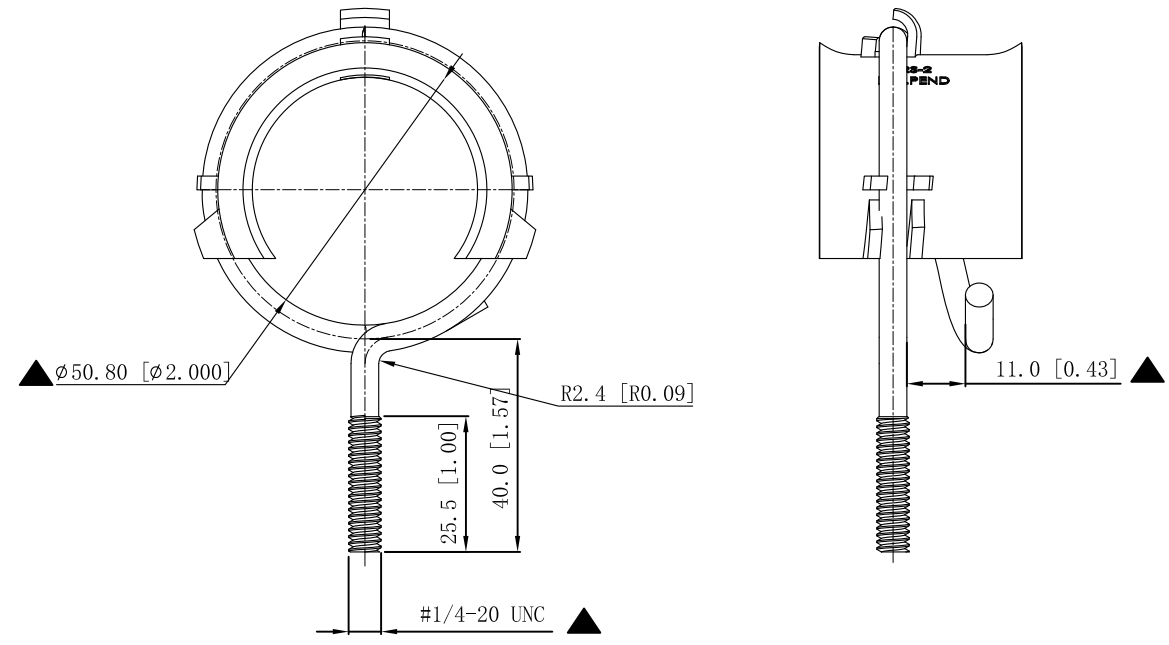
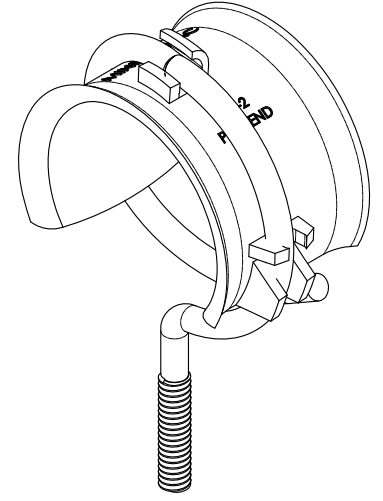
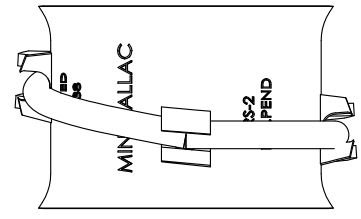


SIDES	BOTTOM
Material: Steel-□0.213"-(C1008-C1018) Zinc Plated	



This data sheet is for reference only .SINO AMPLE reserves the right to make changes to the design without prior notice.

DESCRIPTION
TRADE REFERENCE TERMS

STANDARD PACKING
100/PCS

ZHUJI SINO AMPLE METAL PRODUCTS CO. , LTD.		
TITLE BRIDLE RINGS WIRE HARNESS		
SIZE A4	DWG NO. SABR-200-WH	REV A
DATA SHEET		