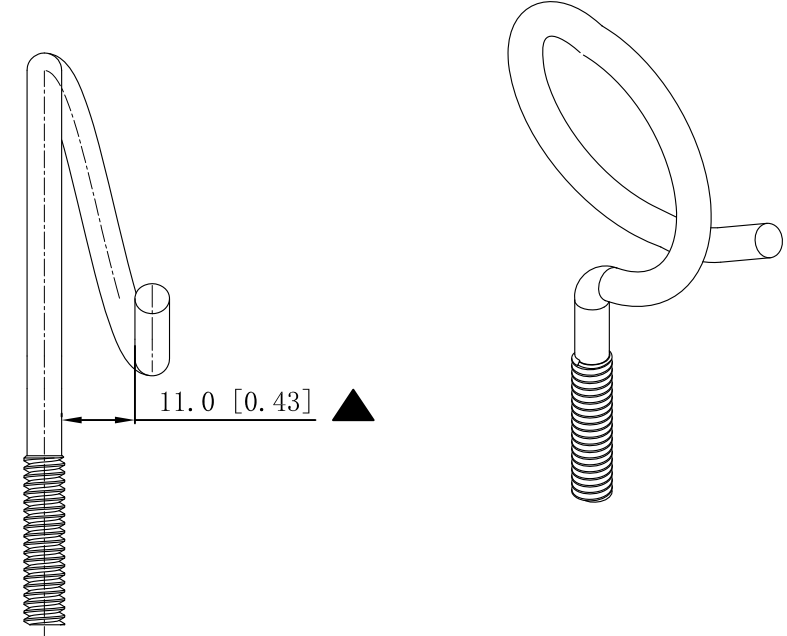
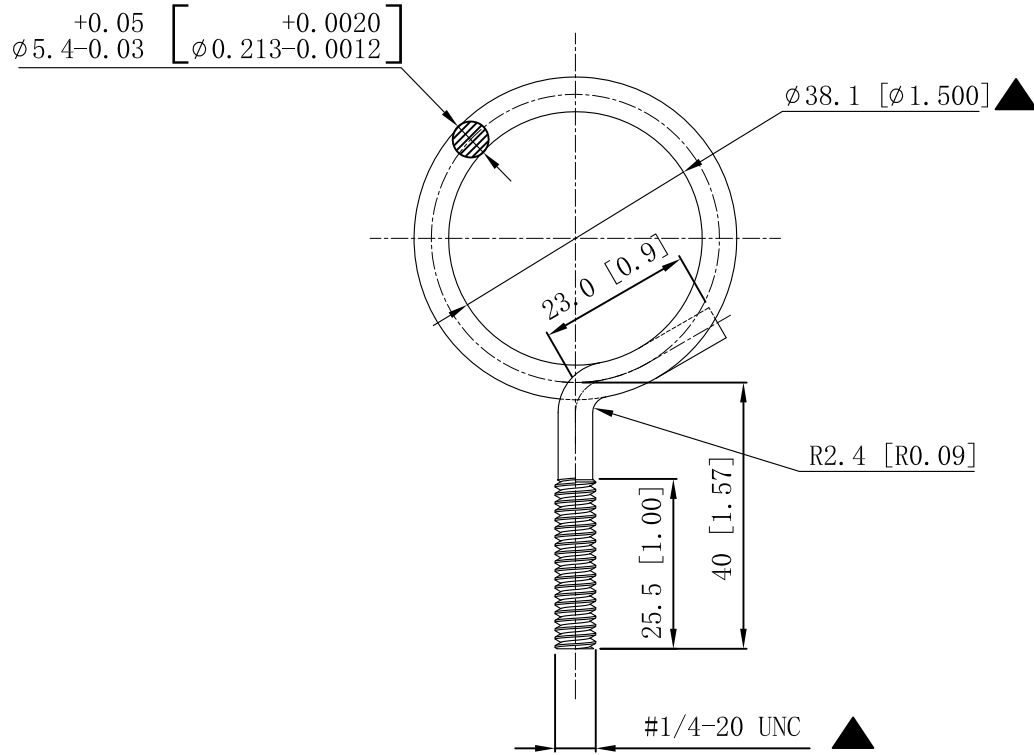


SIDES	BOTTOM
Material: □0.213"-SS316	



This data sheet is for reference only .SINO AMPLE reserves the right to make changes to the design without prior notice.

DESCRIPTION
TRADE REFERENCE TERMS

STANDARD PACKING	ZHUJI SINO AMPLE METAL PRODUCTS CO., LTD.		
100 PCS	TITLE MACHINE-SCREW BRIDLE RINGS		
	SIZE A4	DWG NO. SABR-150-SS	REV A
	DATA SHEET		