

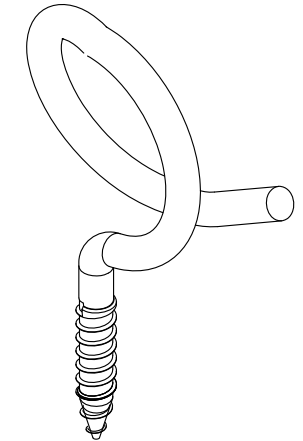
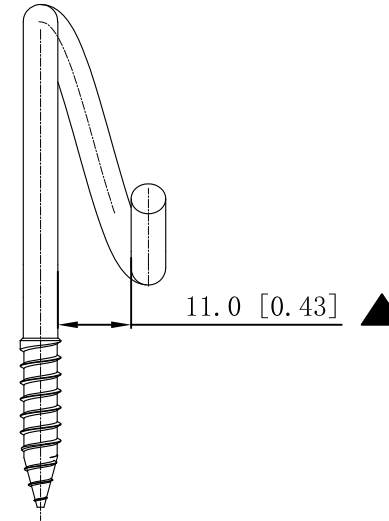
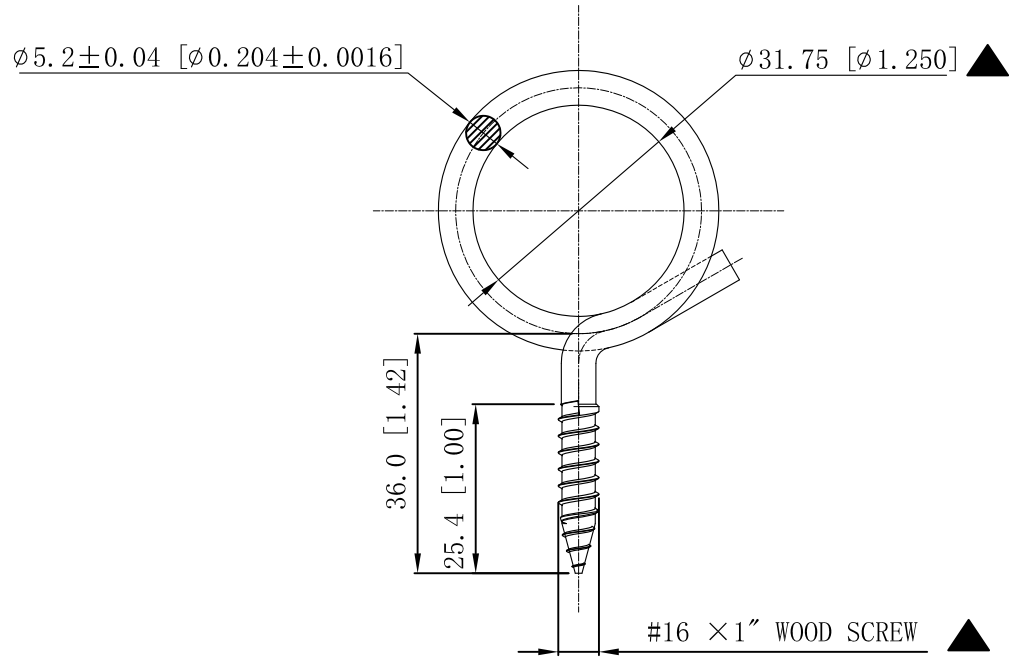
SIDES

BOTTOM

UL File #

E510054

Material: Steel-0.204"-(C1008-C1018) Zinc Plated



DESCRIPTION

This data sheet is for reference only .SINO AMPLE reserves the right to make changes to the design without prior notice.

TRADE REFERENCE TERMS

STANDARD PACKING

ZHUJI SINO AMPLE METAL PRODUCTS CO., LTD.

100 PCS

TITLE

WOOD-SCREW BRIDLE RINGS

SIZE A4

DWG NO.

SABR-125-WS

REV A

DATA SHEET