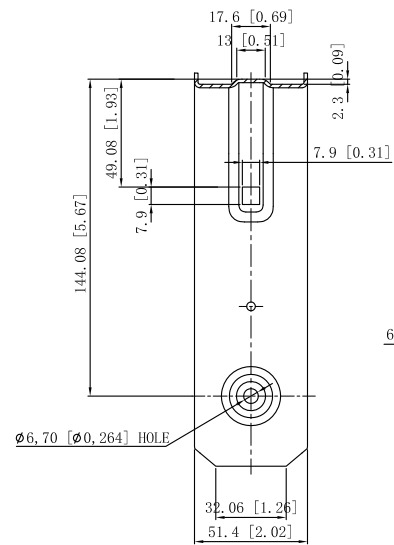
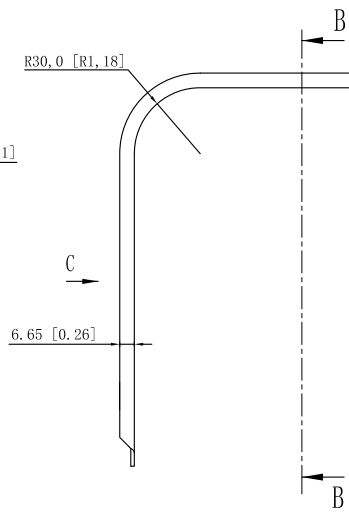


SIDES	BOTTOM

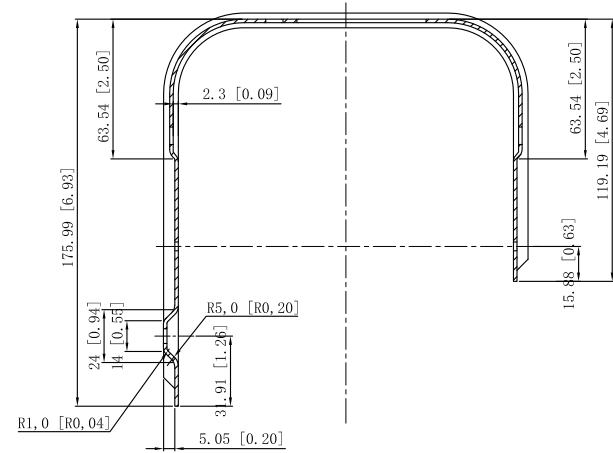
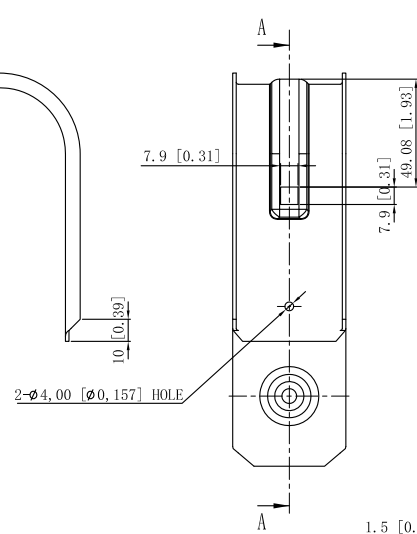
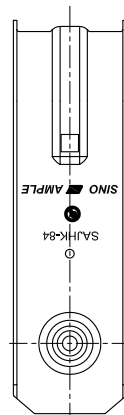
Material: Steel-0.059"-G60 Galvanized



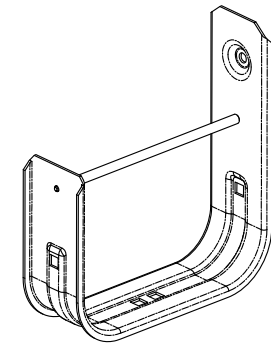
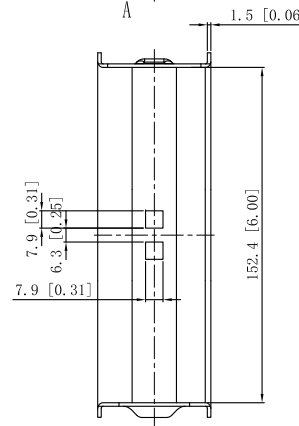
CUTAWAY VIEW B-B



VIEW C



CUTAWAY VIEW A-A



This data sheet is for reference only .SINO AMPLE reserves the right to make changes to the design without prior notice.

DESCRIPTION
TRADE REFERENCE TERMS

STANDARD PACKING	ZHUJI SINO AMPLE METAL PRODUCTS CO., LTD.		
TITLE	J-HOOKS		
SIZE	DWG NO.	SAJHK-84	REV
A4			A
DATA SHEET			