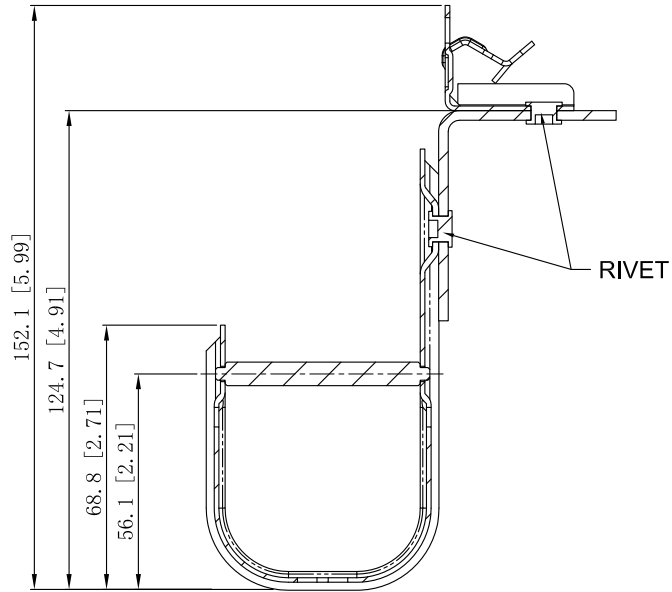
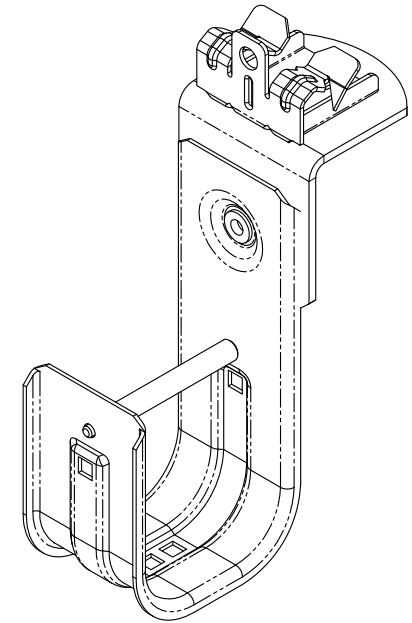
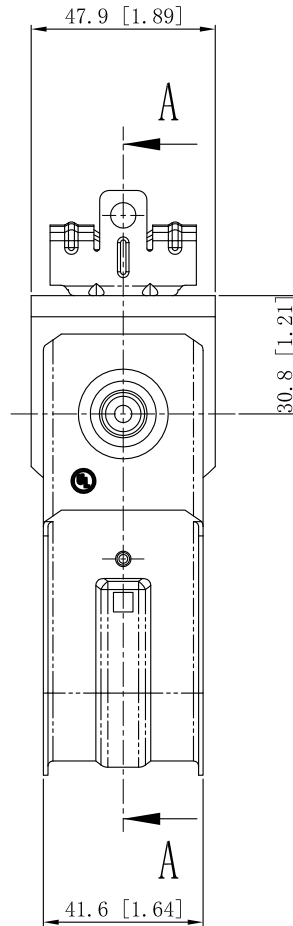


SIDES	BOTTOM

Material: Steel-0.047"-G60 Galvanized



CUTAWAY VIEW A-A



This data sheet is for reference only .SINO AMPLE reserves the right to make changes to the design without prior notice.

DESCRIPTION
TRADE REFERENCE TERMS

STANDARD PACKING
50 PCS

ZHUJI SINO AMPLE METAL PRODUCTS CO., LTD.		
TITLE J-HOOKS		
SIZE A4	DWG NO. SAJHK-32-H0	REV A
DATA SHEET		