

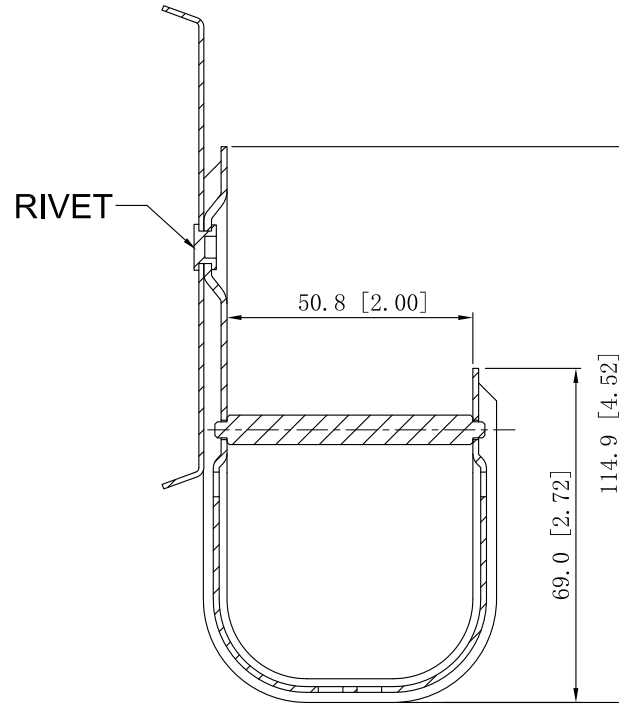
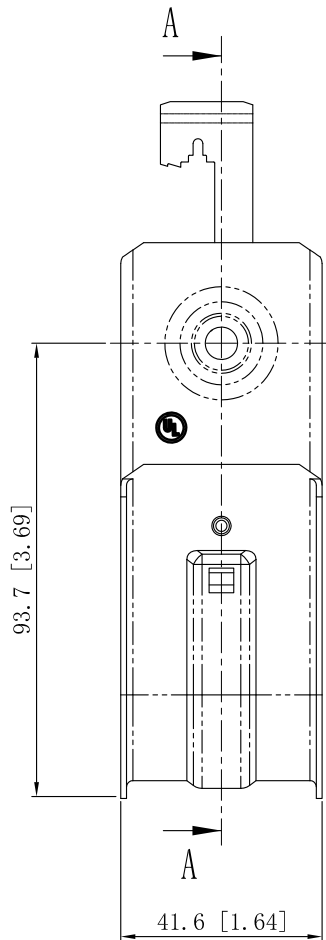
SIDES

BOTTOM

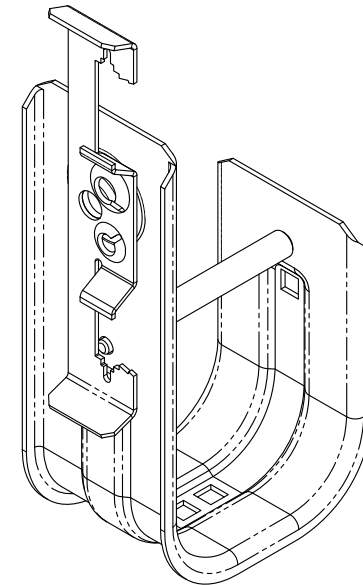
UL File #

E510054

Material: Steel-0.047"-G60 Galvanized



CUTAWAY VIEW A-A



This data sheet is for reference only .SINO AMPLE reserves the right to make changes to the design without prior notice.

|                       |
|-----------------------|
| DESCRIPTION           |
|                       |
| TRADE REFERENCE TERMS |
|                       |

|                  |
|------------------|
| STANDARD PACKING |
| 50 PCS           |

|   |                         |          |
|---|-------------------------|----------|
| ZHUJI SINO AMPLE METAL PRODUCTS CO., LTD. |                         |          |
| TITLE<br>J-HOOKS WITH QUICK CLIPS         |                         |          |
| SIZE<br>A4                                | DWG NO.<br>SAJHK-32-BW2 | REV<br>A |
| DATA SHEET                                |                         |          |