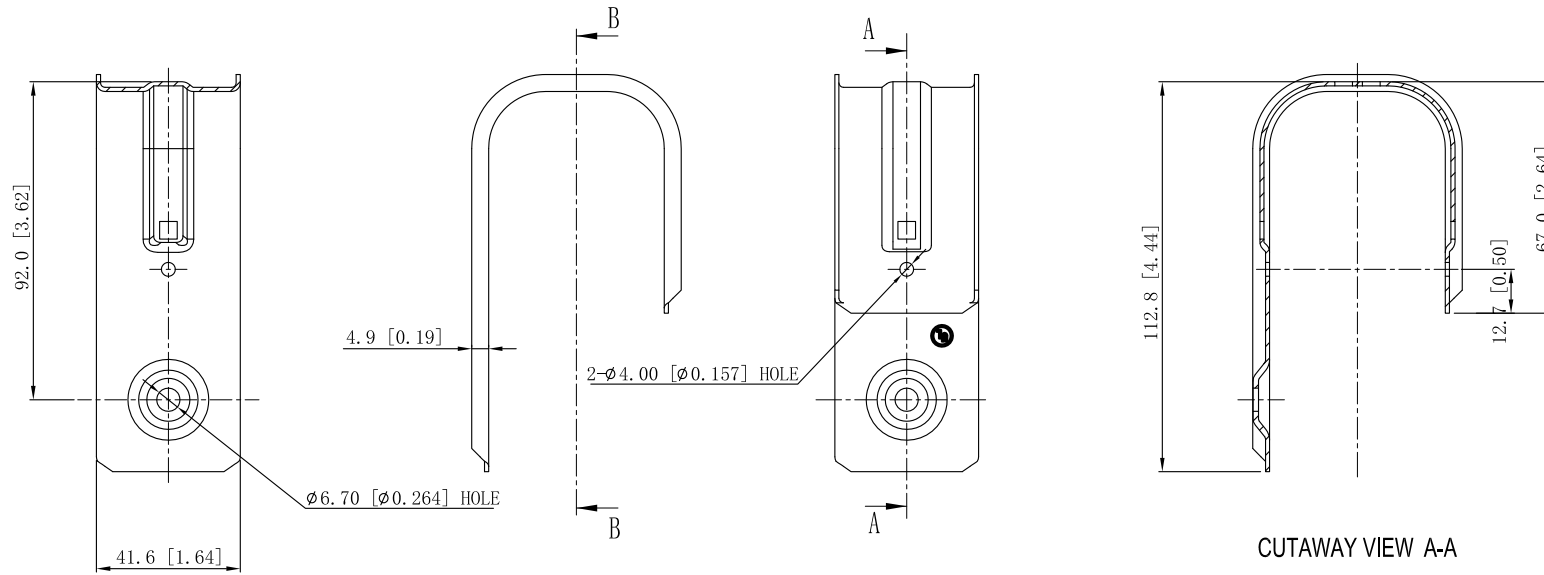


SIDES

BOTTOM

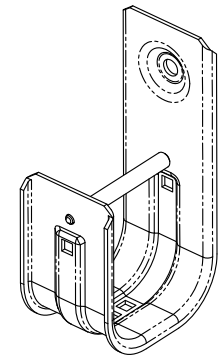
UL File # E510054

Material: Steel-0.047"-G60 Galvanized



CUTAWAY VIEW B-B

CUTAWAY VIEW A-A



DESCRIPTION

This data sheet is for reference only .SINO AMPLE reserves the right to make changes to the design without prior notice.

TRADE REFERENCE TERMS

STANDARD PACKING

ZHUJI SINO AMPLE METAL PRODUCTS CO., LTD.

50 PCS

TITLE

J-HOOKS

SIZE
A4

DWG NO.

SAJHK-32

REV
A

DATA SHEET