

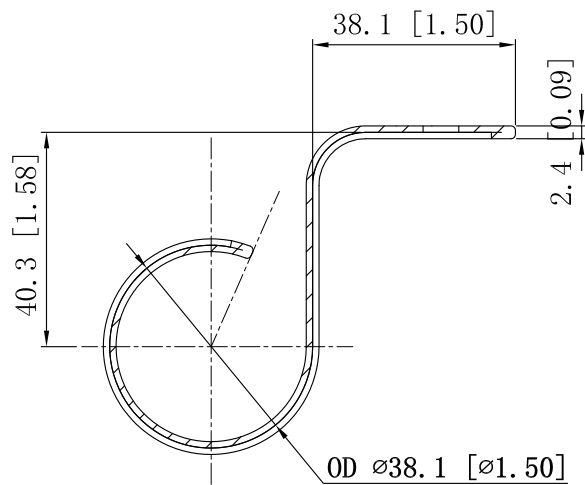
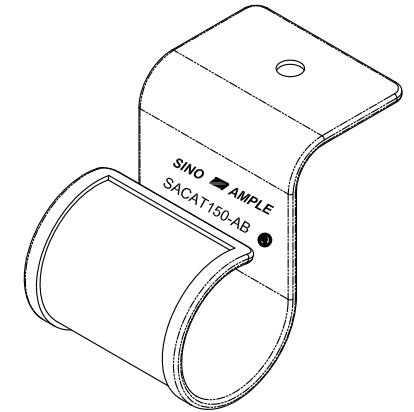
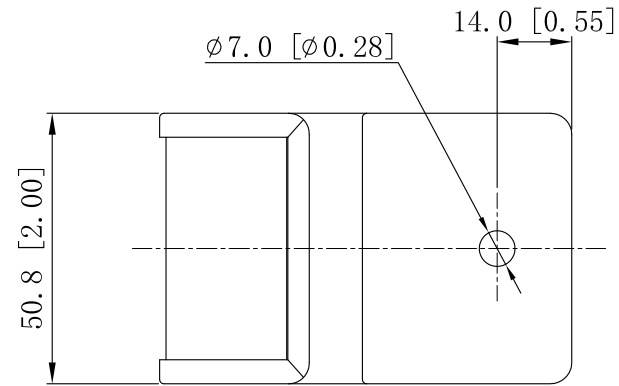
SIDES

BOTTOM

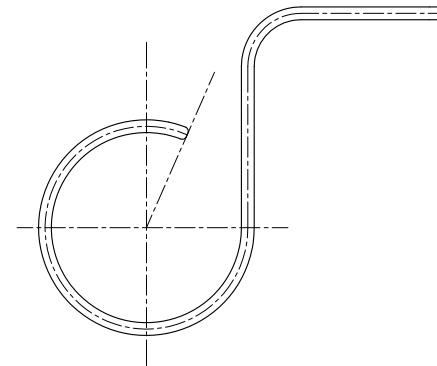
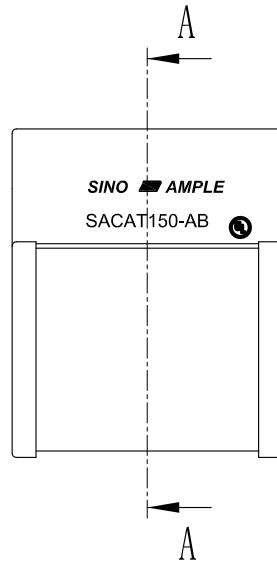
UL File #

E510054

Material: Steel-0.047"-Galvanized



CUTAWAY VIEW A-A



This data sheet is for reference only .SINO AMPLES reserves the right to make changes to the design without prior notice.

DESCRIPTION
TRADE REFERENCE TERMS

STANDARD PACKING	ZHUJI SINO AMPLE METAL PRODUCTS CO., LTD.		
	TITLE CAT WIRE RINGS		
	SIZE A4	DWG NO. SACAT150-AB	REV A
	DATA SHEET		