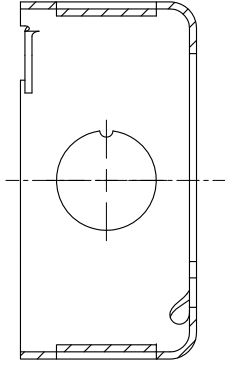
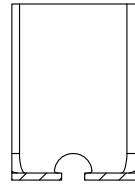
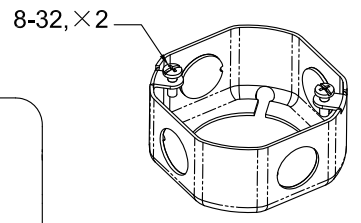
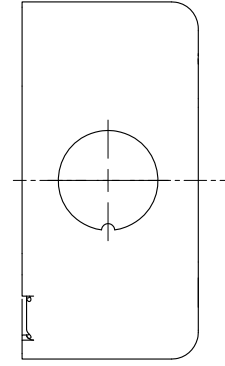
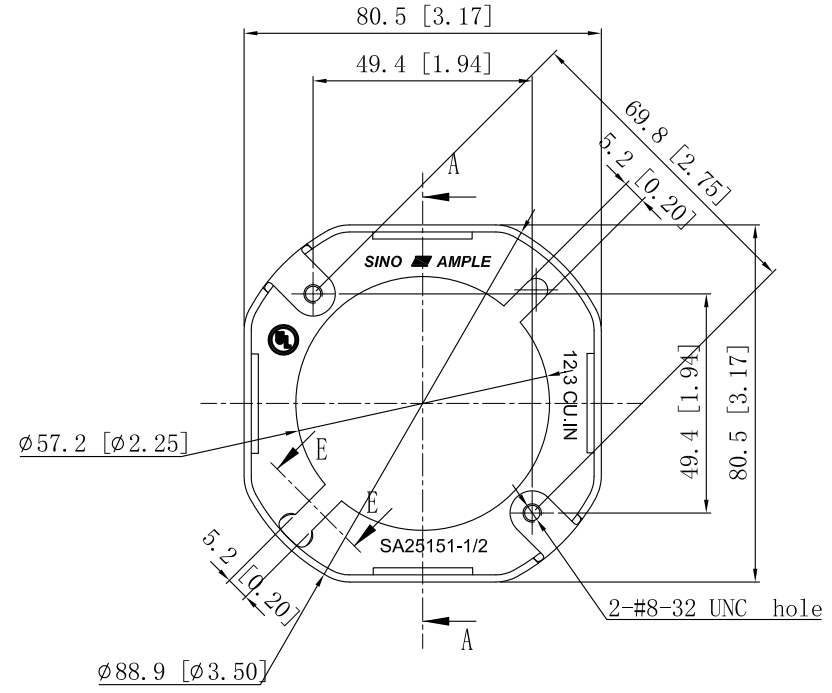


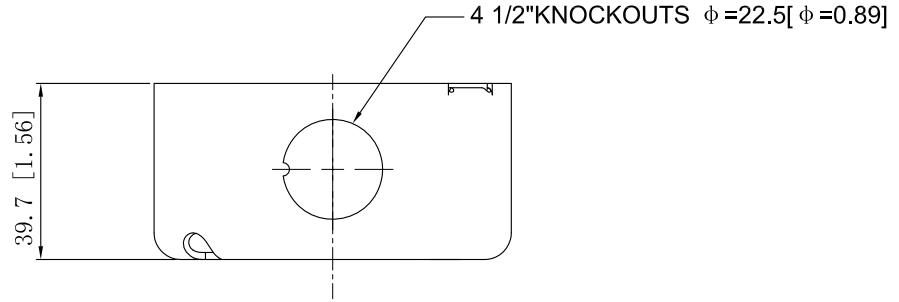
SIDES	BOTTOM
4 1/2" KNOCKOUTS	
2 PCS 8-32×1/2 Screws Installed	
Material:Steel-0.0625"-G60 Galvanized	



CUTAWAY VIEW A-A



CUTAWAY VIEW E-E



This data sheet is for reference only .SINO AMPLE reserves the right to make changes to the design without prior notice.

DESCRIPTION
TRADE REFERENCE TERMS

STANDARD PACKING	ZHUJI SINO AMPLE METAL PRODUCTS CO., LTD.		
	TITLE	3-1/2" OCTAGON BOXES	
50 PCS	SIZE	DWG NO.	REV
	A4	SA25151-1/2	A
DATA SHEET			