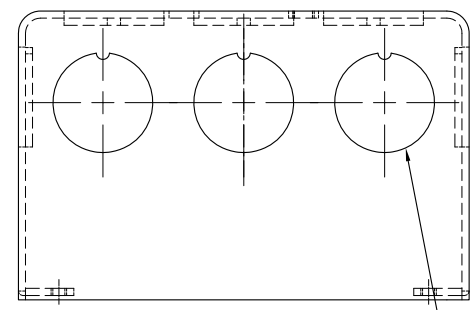
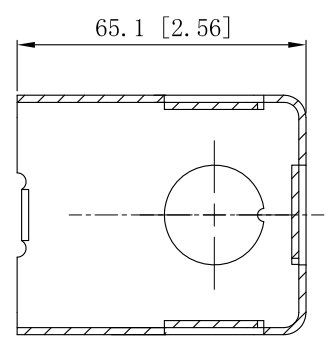


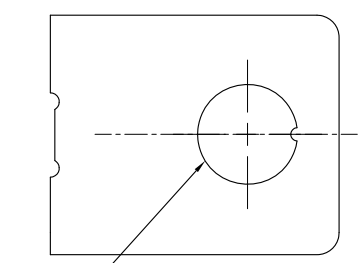
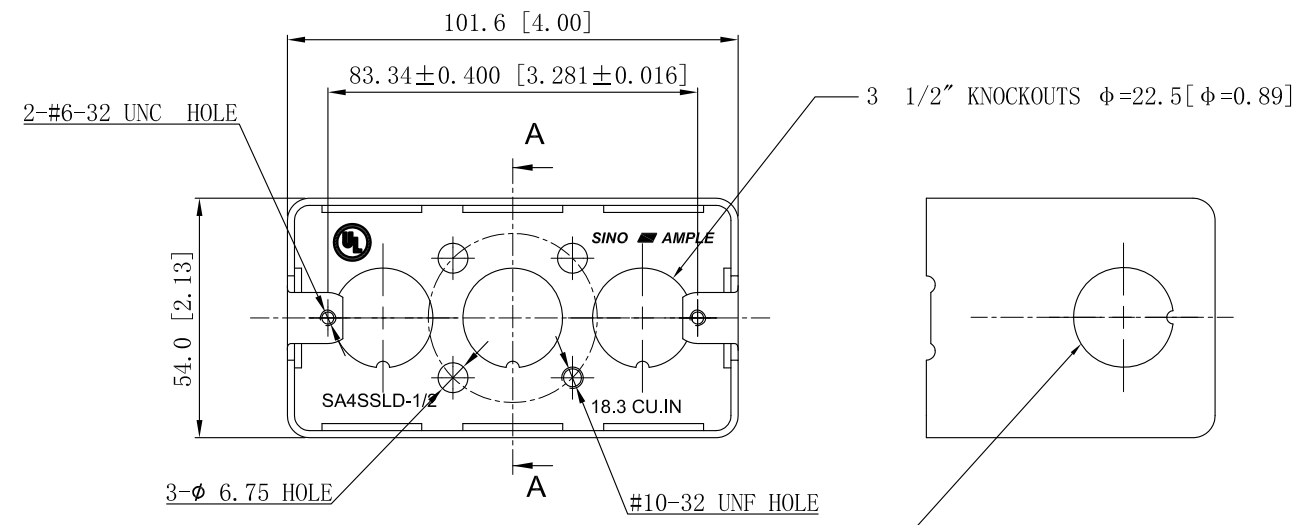
SIDES	BOTTOM
8 1/2" KNOCKOUTS	3 1/2" KNOCKOUTS
Material: Steel-0.0625"-G60 Galvanized	



6 1/2" KNOCKOUTS $\phi=22.5 [\phi=0.89]$



CUTAWAY VIEW A-A



2 1/2" KNOCKOUTS $\phi=22.5 [\phi=0.89]$

This data sheet is for reference only .SINO AMPLE reserves the right to make changes to the design without prior notice.

DESCRIPTION
TRADE REFERENCE TERMS

STANDARD PACKING	ZHUJI SINO AMPLE METAL PRODUCTS CO., LTD.		
50 PCS	TITLE	HANDY UTILITY BOXES & EXTENSINO RINGS	
	SIZE	DWG NO.	REV
	A4	SA4SSLD-1/2	A
DATA SHEET			