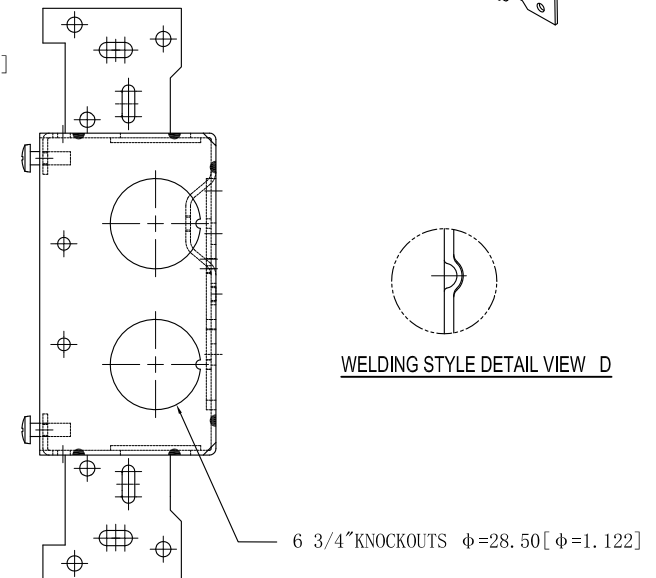
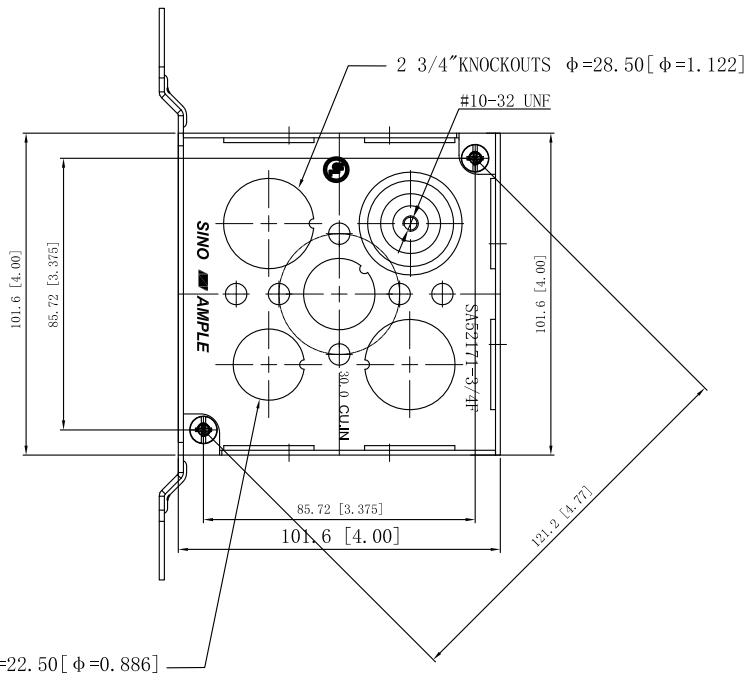
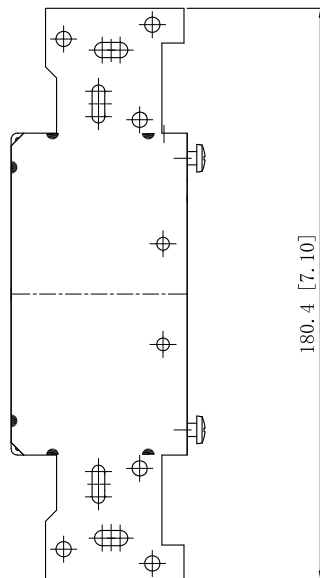
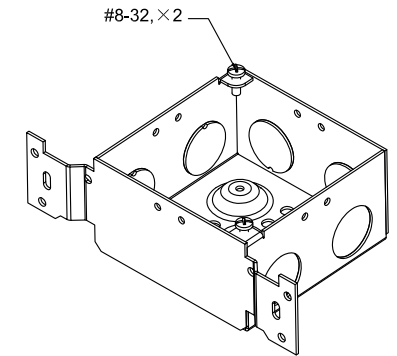
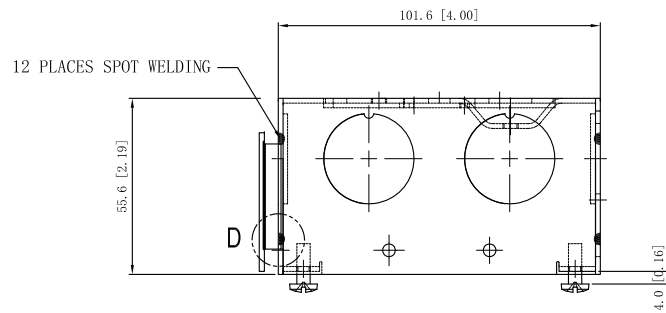


<b>SIDES</b>	<b>BOTTOM</b>
6 3/4" KNOCKOUTS	2 1/2" KNOCKOUTS
	2 3/4" KNOCKOUTS
	1 Ground Hump
2 PCS 8-32×1/2 Screws Installed	
Material:Steel-0.0625"-G60 Galvanized	



This data sheet is for reference only.SINO AMPLE reserves the right to make changes to the design without prior notice.

DESCRIPTION
TRADE REFERENCE TERMS

STANDARD PACKING	ZHUJI SINO AMPLE METAL PRODUCTS CO., LTD.		
	TITLE 2-1/8D 4IN SQ welded box with		
SIZE A4	DWG NO. SA52171-3/4F		REV A
	DATA SHEET		