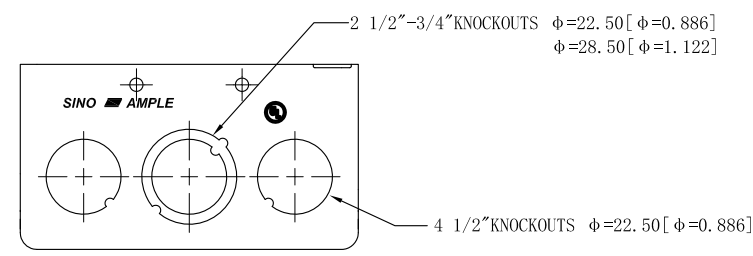
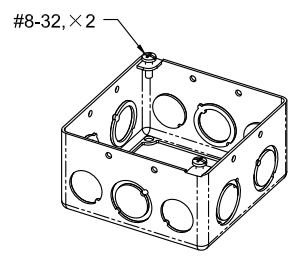
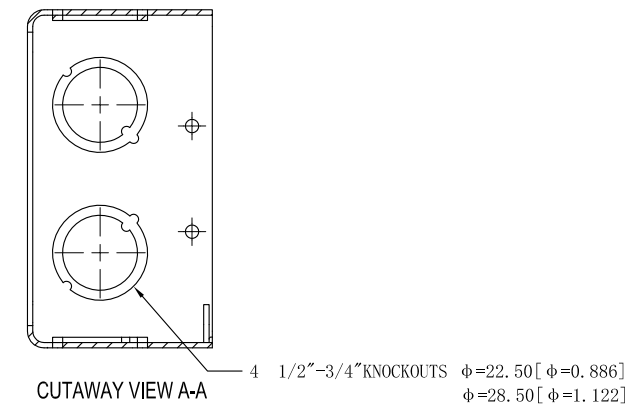
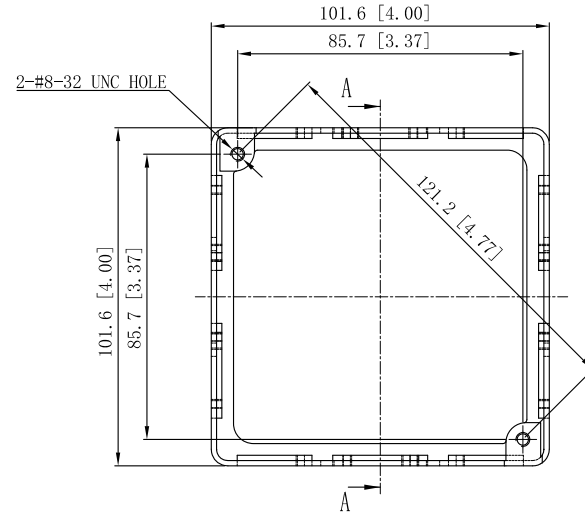
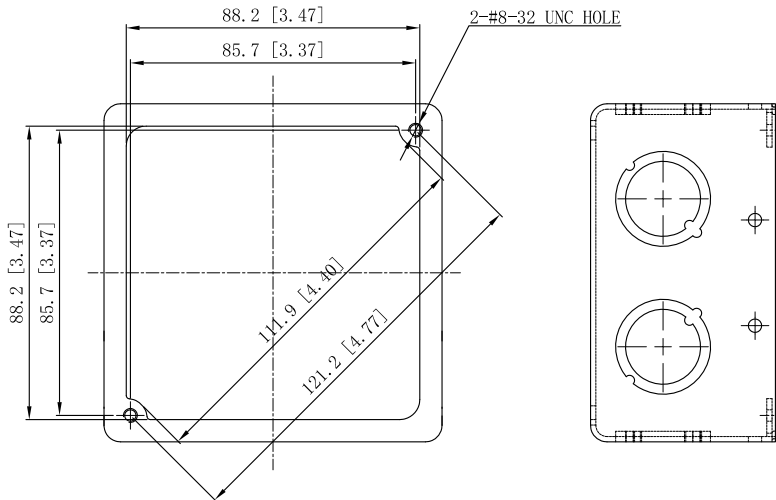
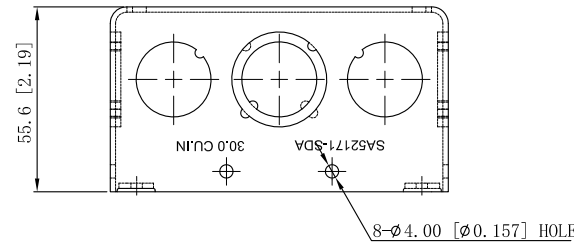


<b>SIDES</b>	<b>BOTTOM</b>
4 1/2" KNOCKOUTS	
6 1/2"-3/4" MOON KNOCKOUTS	
2 PCS 8-32x1/2 Screws Installed	
Material: Steel-0.0625"-G60 Galvanized	



This data sheet is for reference only . SINO AMPLE reserves the right to make changes to the design without prior notice.

<b>DESCRIPTION</b>
<b>TRADE REFERENCE TERMS</b>

<b>STANDARD PACKING</b>	<b>ZHUJI SINO AMPLE METAL PRODUCTS CO., LTD.</b>		
	TITLE 4" SQ. BRACKET BOXES 2-1/8" DEEP		
25 PCS	SIZE	DWG NO.	REV
	A4	SA52171-SDA	A
<b>DATA SHEET</b>			