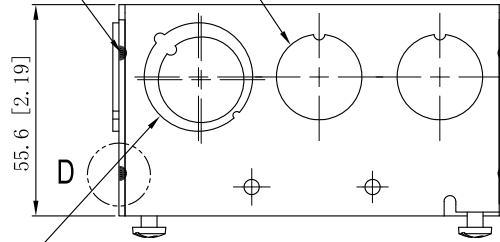


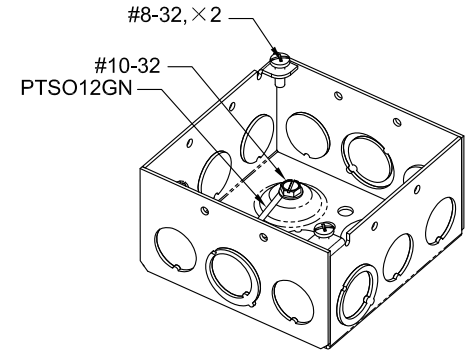
SIDES	BOTTOM
8 1/2" KNOCKOUTS	2 1/2" KNOCKOUTS
4 1/2"-3/4" MOON KNOCKOUTS	2 3/4" KNOCKOUTS
	1 Ground Hump
2 PCS 8-32x1/2 Screws Installed	
1 PCS 10-32x3/8 Screws Installed	
Material: Steel-0.0625"-G60 Galvanized	

4 1/2" KNOCKOUTS $\phi = 22.50$ [$\phi = 0.886$]

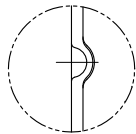
12 PLACES SPOT WELDING



2 1/2"-3/4" MOON KNOCKOUTS $\phi = 22.50$ [$\phi = 0.886$]
 $\phi = 28.50$ [$\phi = 1.122$]



2 3/4" KNOCKOUTS $\phi = 28.50$ [$\phi = 1.122$]

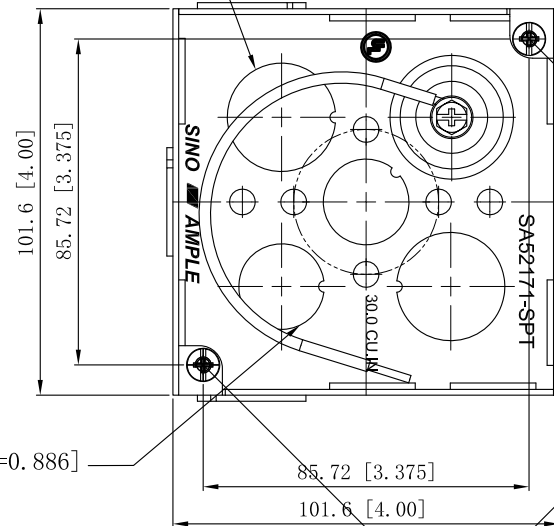


WELDING STYLE DETAIL VIEW D

2 1/2"-3/4" MOON KNOCKOUTS $\phi = 22.50$ [$\phi = 0.886$]
 $\phi = 28.50$ [$\phi = 1.122$]

4 1/2" KNOCKOUTS $\phi = 22.50$ [$\phi = 0.886$]

2 1/2" KNOCKOUTS $\phi = 22.50$ [$\phi = 0.886$]



21.2 [4.77]

This data sheet is for reference only. SINO AMPLE reserves the right to make changes to the design without prior notice.

DESCRIPTION
TRADE REFERENCE TERMS

STANDARD PACKING	ZHUJI SINO AMPLE METAL PRODUCTS CO., LTD.		
	TITLE 4" SQUARE BOXES 2-1/8" DEEP		
25 PCS	SIZE	DWG NO.	REV
	A4	SA52171-SPT	A
DATA SHEET			