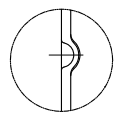
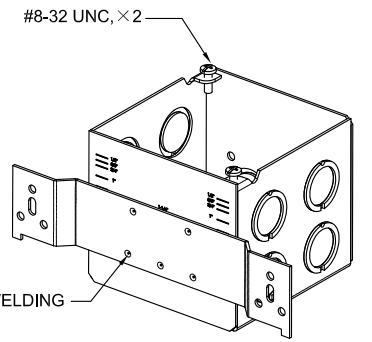
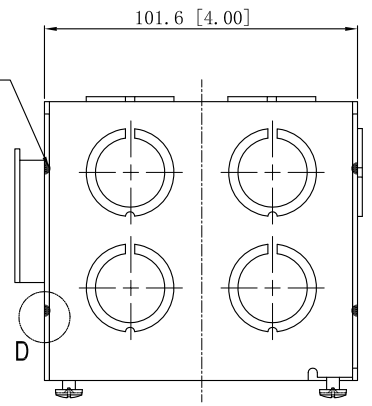


SIDES	BOTTOM
10 1/2"-3/4" KNOCKOUTS	4 1/2"-3/4" KNOCKOUTS
	4 NAIL KNOCKOUTS
2 PCS #8-32×1/2 Screws Installed	
Material: Steel-0.0625"-C.R.S, red powder coating	

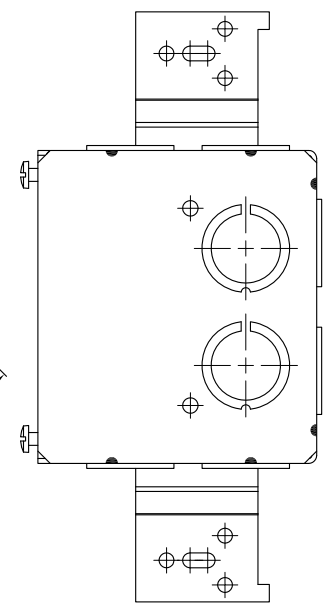
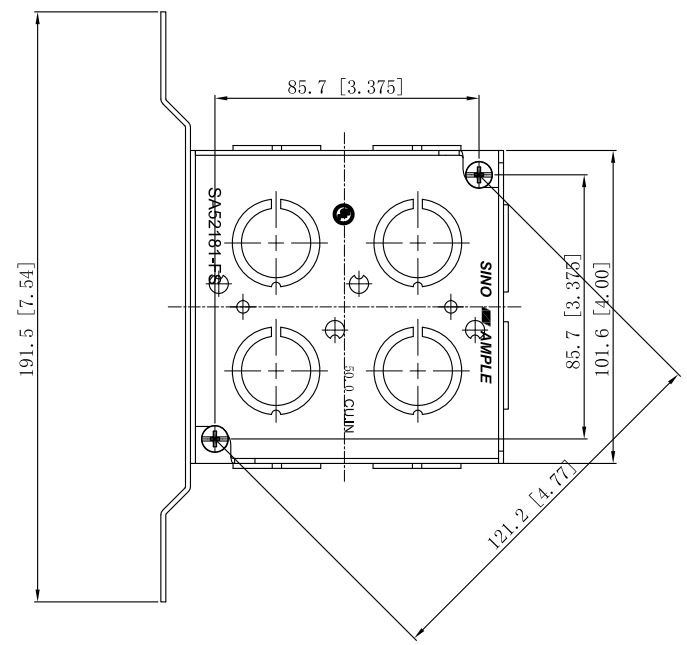
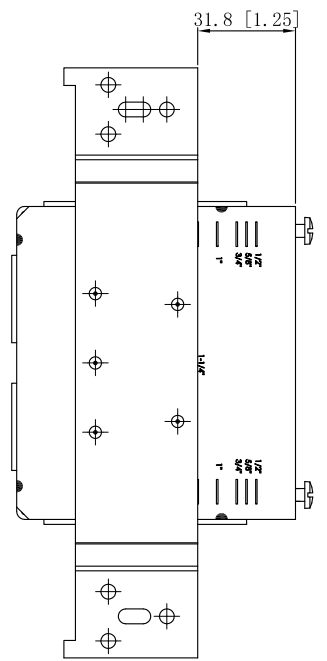
12 PLACES SPOT WELDING



WELDING STYLE DETAIL VIEW D



5 PLACES SPOT WELDING



This data sheet is for reference only .SINO AMPLE reserves the right to make changes to the design without prior notice.

DESCRIPTION
TRADE REFERENCE TERMS

STANDARD PACKING
25 PCS

ZHUJI SINO AMPLE METAL PRODUCTS CO., LTD.		
TITLE 4" SQUARE BOXES 3-1/2" DEEP		
SIZE A4	DWG NO. SA52181-FRED	REV A
DATA SHEET		