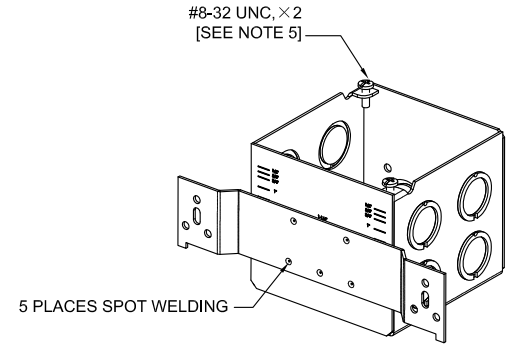
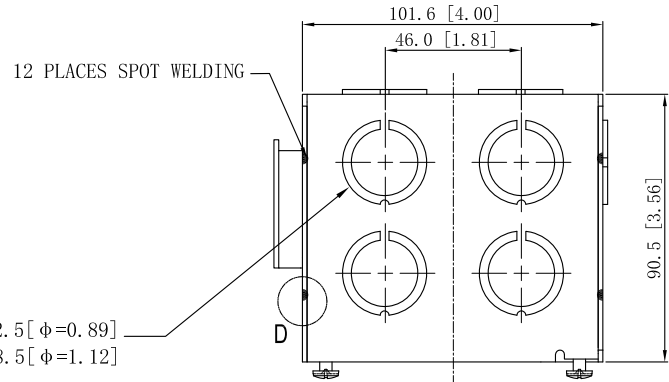
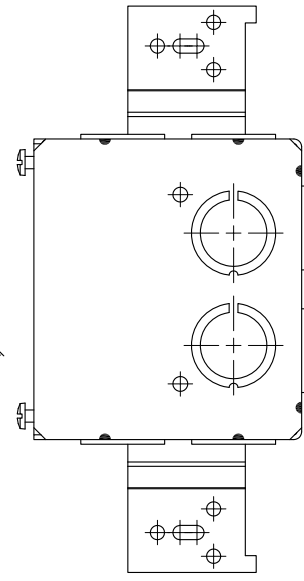
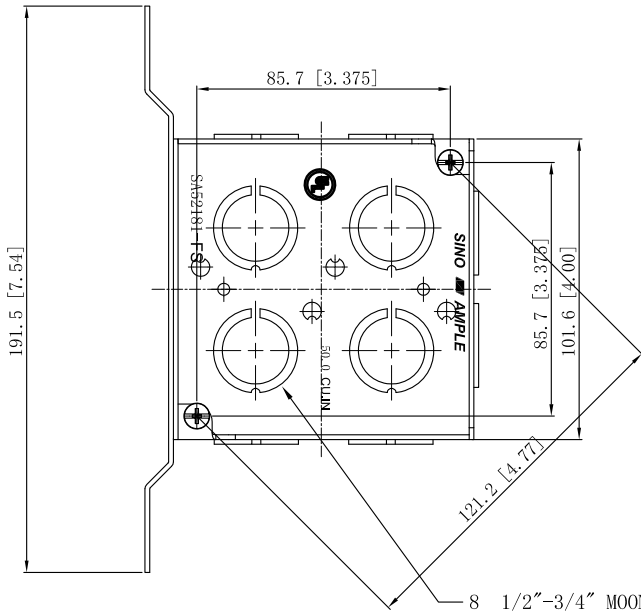
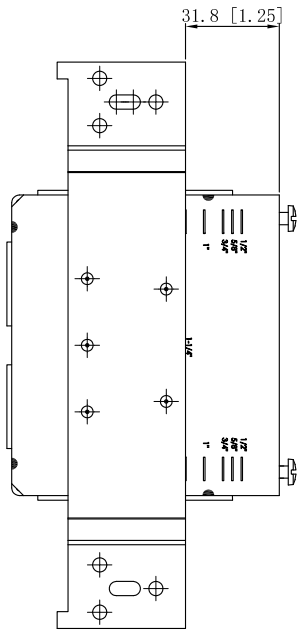


<b>SIDES</b>	<b>BOTTOM</b>
10 1/2"-3/4" MOON KNOCKOUTS	4 1/2"-3/4" MOON KNOCKOUTS
2 PCS 8-32×1/2 Screws Installed	
Material: Steel-0.0625"-G60 Galvanized	



8 1/2"-3/4" MOON KNOCKOUTS  $\phi=22.5$  [ $\phi=0.89$ ]  
 $\phi=28.5$  [ $\phi=1.12$ ]



8 1/2"-3/4" MOON KNOCKOUTS  $\phi=22.5$  [ $\phi=0.89$ ]  
 $\phi=28.5$  [ $\phi=1.12$ ]

This data sheet is for reference only .SINO AMPLE reserves the right to make changes to the design without prior notice.

<b>DESCRIPTION</b>
<b>TRADE REFERENCE TERMS</b>

<b>STANDARD PACKING</b>	<b>ZHUJI SINO AMPLE METAL PRODUCTS CO., LTD.</b>		
	TITLE <b>4" SQUARE BOXES 3-1/2" DEEP</b>		
25 PCS	SIZE A4	DWG NO. SA52181-FS	REV A
	DATA SHEET		