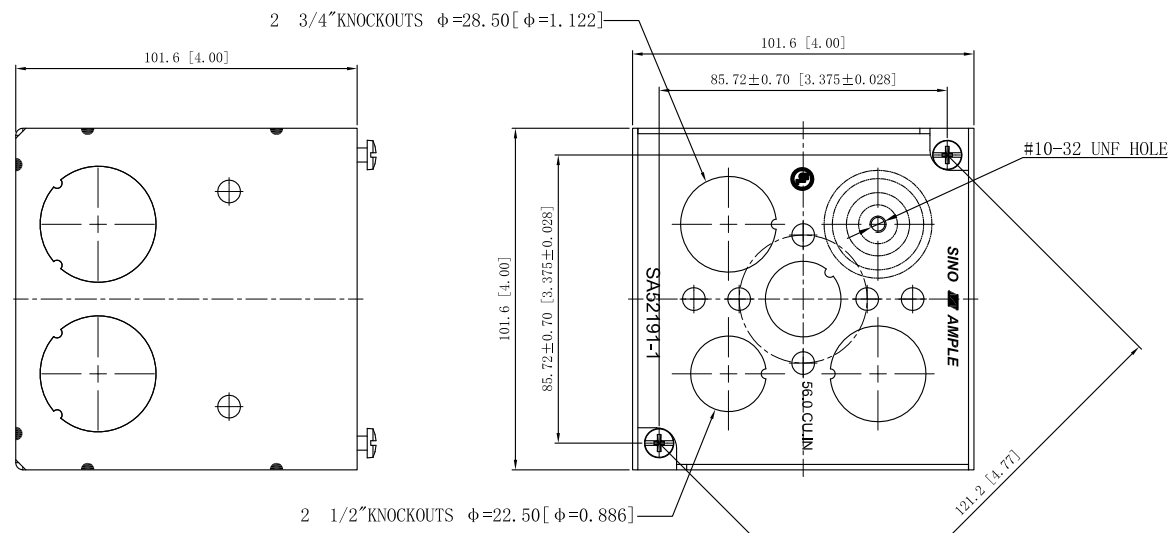
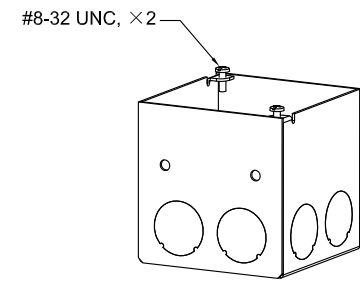
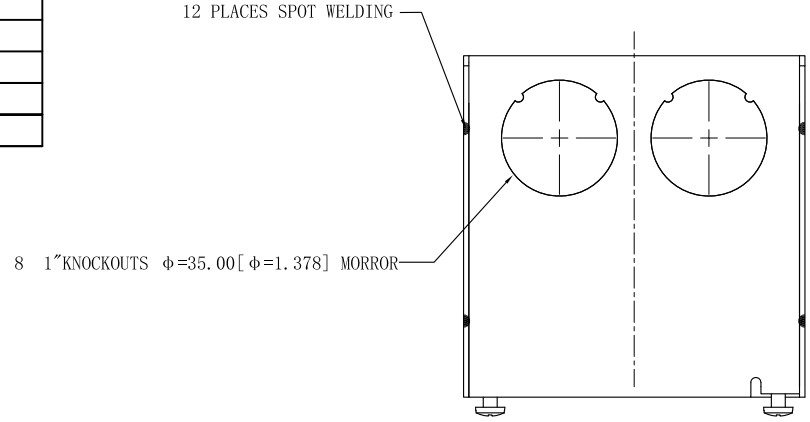


| SIDES | BOTTOM |
|---------------------------------------|------------------|
| 8 1" KNOCKOUTS | 3 1/2" KNOCKOUTS |
| | 2 3/4" KNOCKOUTS |
| | 1 GROUD HUMP |
| 2 PCS #8-32×1/2 Screws Installed | |
| Material:Steel-0.0625"-G60 Galvanized | |



This data sheet is for reference only .SINO AMPLE reserves the right to make changes to the design without prior notice.

| |
|-----------------------|
| DESCRIPTION |
| |
| TRADE REFERENCE TERMS |
| |

| | | | |
|------------------|---|----------------------|----------|
| STANDARD PACKING | ZHUJI SINO AMPLE METAL PRODUCTS CO., LTD. | | |
| 10 PCS | TITLE 4" SQUARE BOXES 4" DEEP | | |
| | SIZE A4 | DWG NO. SA52191-1 | REV A |
| | DATA SHEET | | |