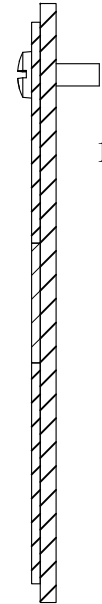
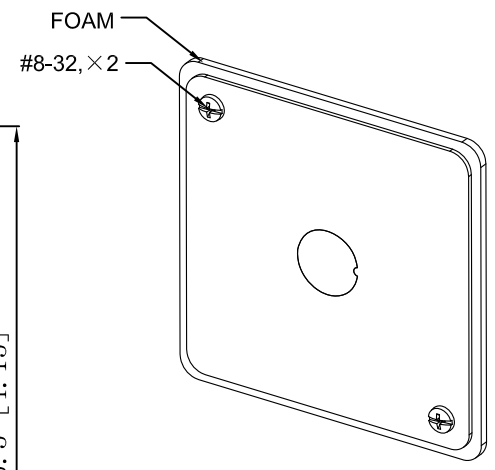
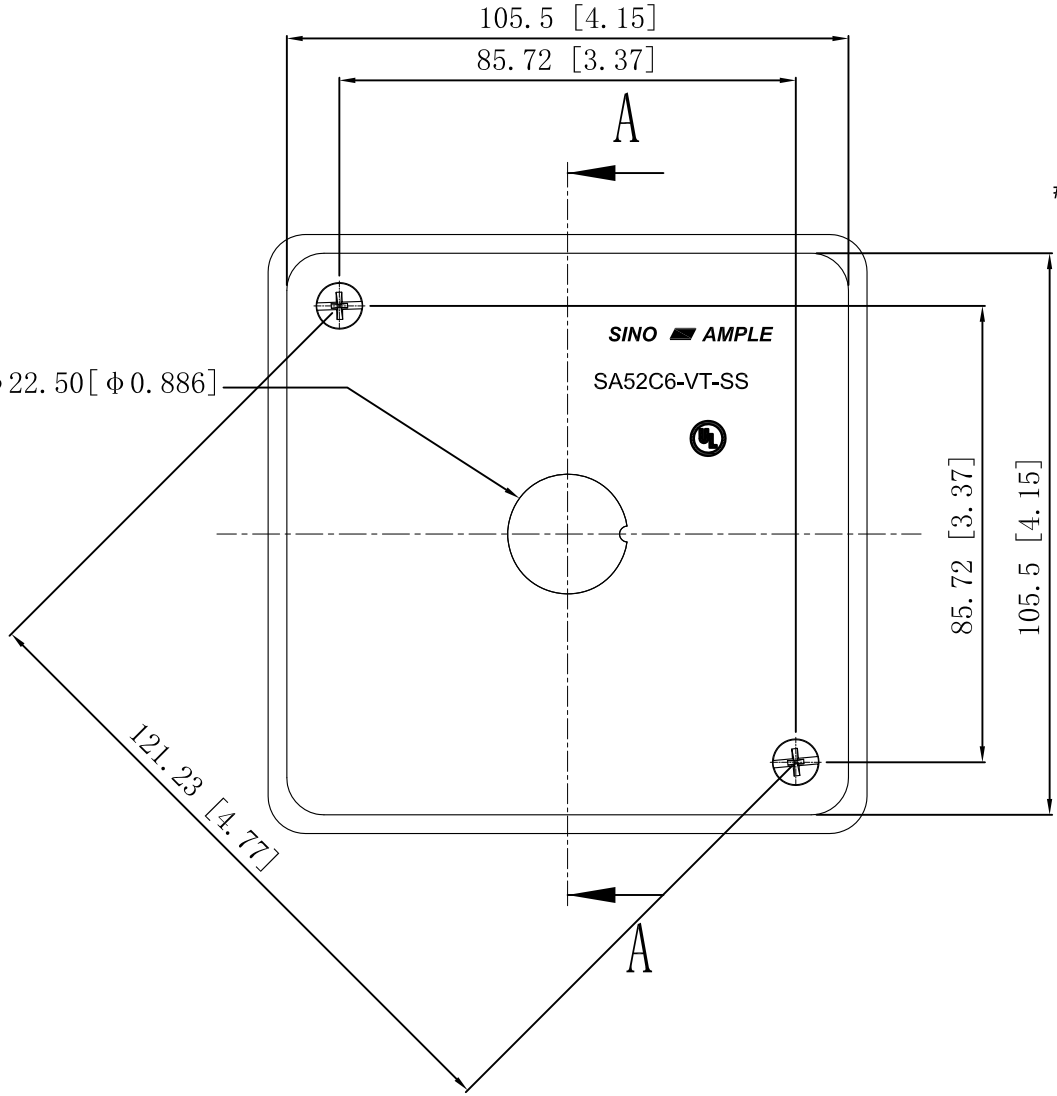


SIDES	BOTTOM
	1/2" KNOCKOUT
2 PCS 8-32×1/2 Screws Installed	
Material: (0.051"-0.059")-tainless steel 316	



1/2" KNOCKOUT $\phi 22.50$ [$\phi 0.886$]



CUTAWAY VIEW A-A

This data sheet is for reference only .SINO AMPLE reserves the right to make changes to the design without prior notice.

DESCRIPTION
TRADE REFERENCE TERMS

STANDARD PACKING	ZHUJI SINO AMPLE METAL PRODUCTS CO., LTD.		
50 PCS	TITLE 4" SQUQRE FLAT BOX COVERS		
	SIZE A4	DWG NO.	SA52C6-VT-SS
	DATA SHEET		REV A