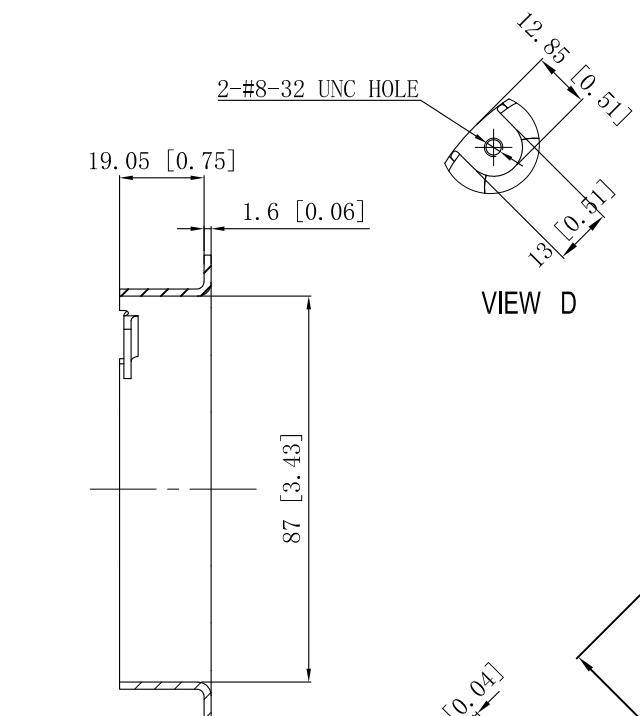
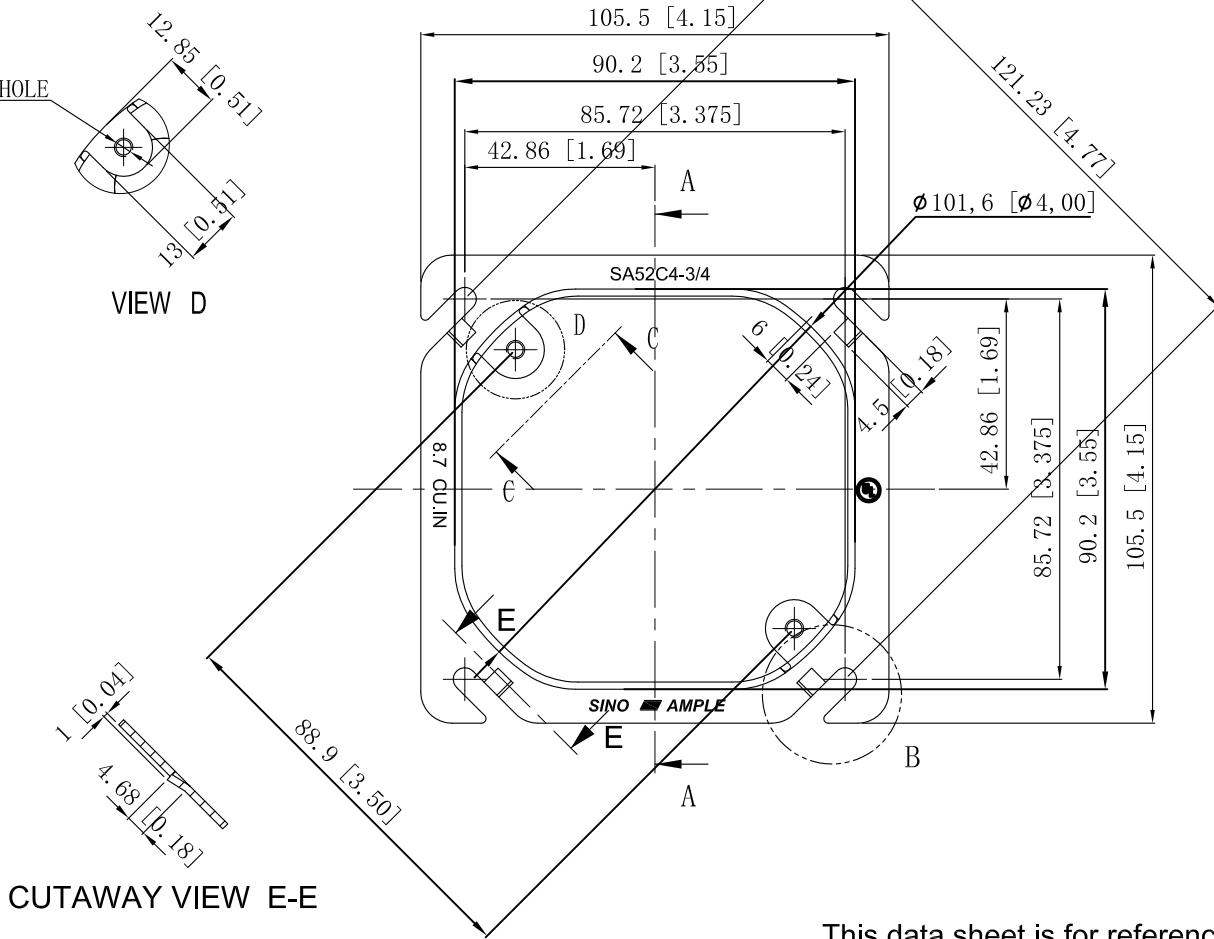


SIDES	BOTTOM

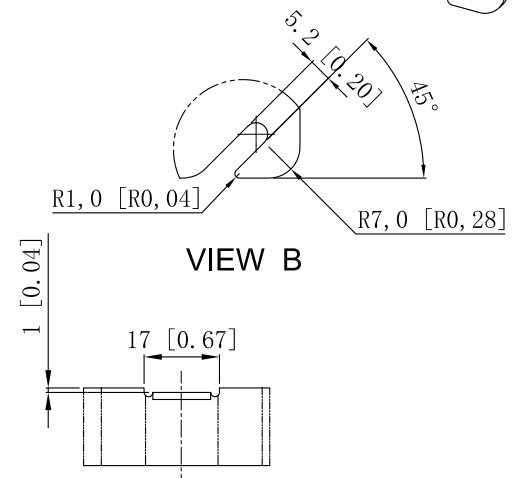
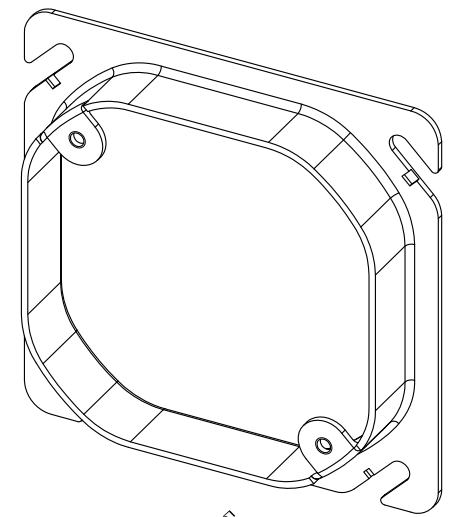
Material: Steel-0.0625"-G60 Galvanized



CUTAWAY VIEW A-A



CUTAWAY VIEW E-E



CUTAWAY VIEW C-C

This data sheet is for reference only .SINO AMPLE reserves the right to make changes to the design without prior notice.

DESCRIPTION
TRADE REFERENCE TERMS

STANDARD PACKING	ZHUJI SINO AMPLE METAL PRODUCTS CO., LTD.		
TITLE	4" SQUARE COVER-3/4" DEEP		
SIZE	DWG NO.		REV
A4	SA52C4-3/4		A
DATA SHEET			