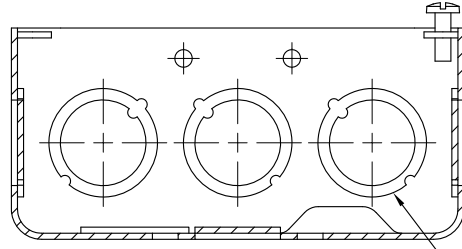
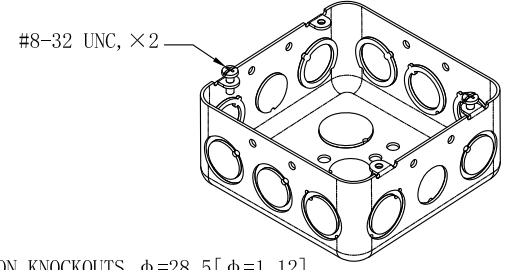


SIDES	BOTTOM
2 3/4" KNOCKOUTS	2 1/2" KNOCKOUTS
10 1/2"-3/4" MOON KNOCKOUTS	2 3/4" KNOCKOUTS
	1 Ground Hump
2 PCS 8-32×1/2 Screws Installed	
Material:Steel-0.0625"-C.R.S - Powder coating red	



CUTAWAY VIEW C-C



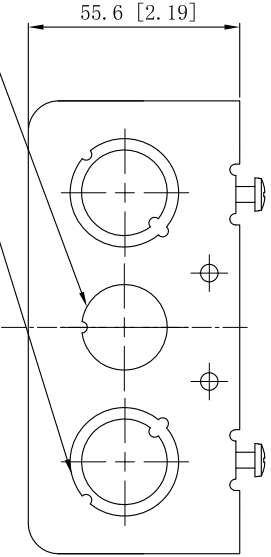
#8-32 UNC, ×2

4 1/2"-3/4" MOON KNOCKOUTS $\phi=28.5$ [$\phi=1.12$]
 $\phi=22.5$ [$\phi=0.89$]

6 1/2"-3/4" MOON KNOCKOUTS $\phi=28.5$ [$\phi=1.12$]
 $\phi=22.5$ [$\phi=0.89$]

2 3/4" KNOCKOUTS $\phi=22.5$ [$\phi=0.89$]

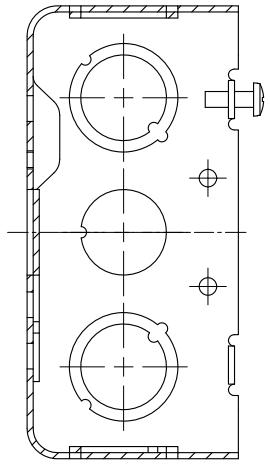
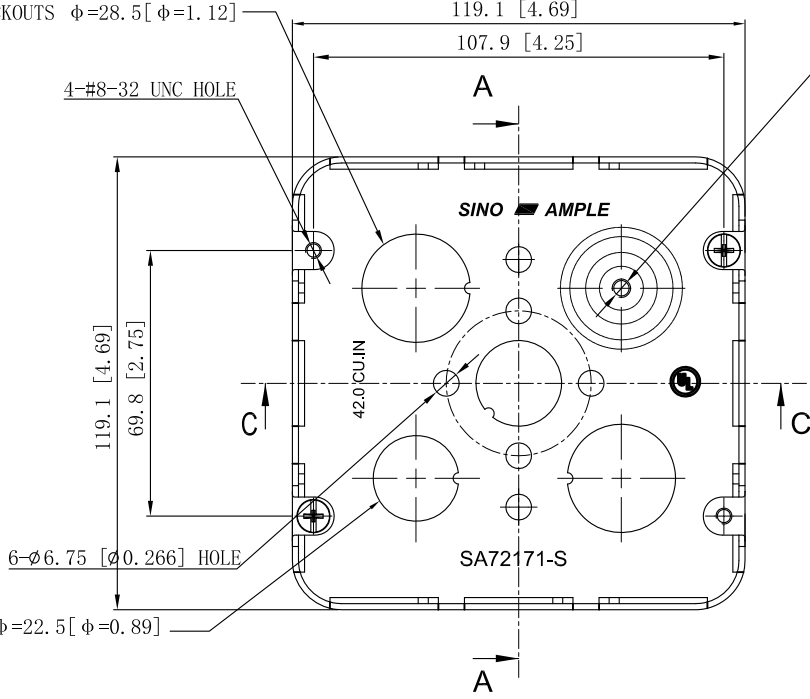
2 3/4" KNOCKOUTS $\phi=28.5$ [$\phi=1.12$]



55.6 [2.19]

4-#8-32 UNC HOLE

#10-32 UNF HOLE



CUTAWAY VIEW A-A

2 1/2" KNOCKOUTS $\phi=22.5$ [$\phi=0.89$]

This data sheet is for reference only.SINO AMPLE reserves the right to make changes to the design without prior notice.

DESCRIPTION
TRADE REFERENCE TERMS

STANDARD PACKING
25 PCS

ZHUJI SINO AMPLE METAL PRODUCTS CO., LTD.		
TITLE 4-11/16" SQUARE "DRAWN" BOXES (2-1/8"DEEP)		
SIZE A4	DWG NO. SA72171-RED	REV A
DATA SHEET		