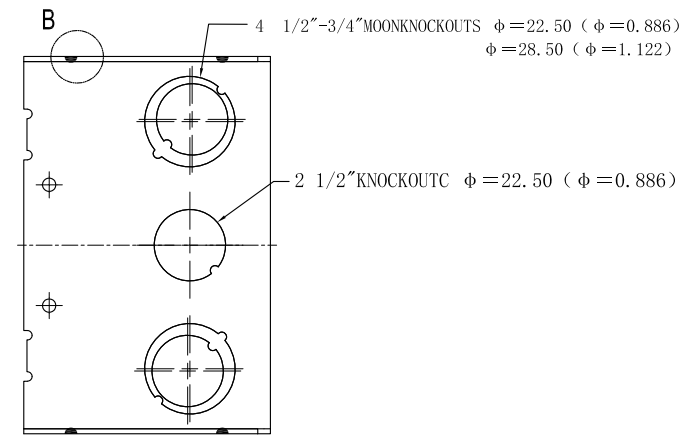
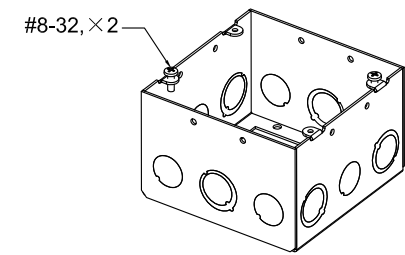
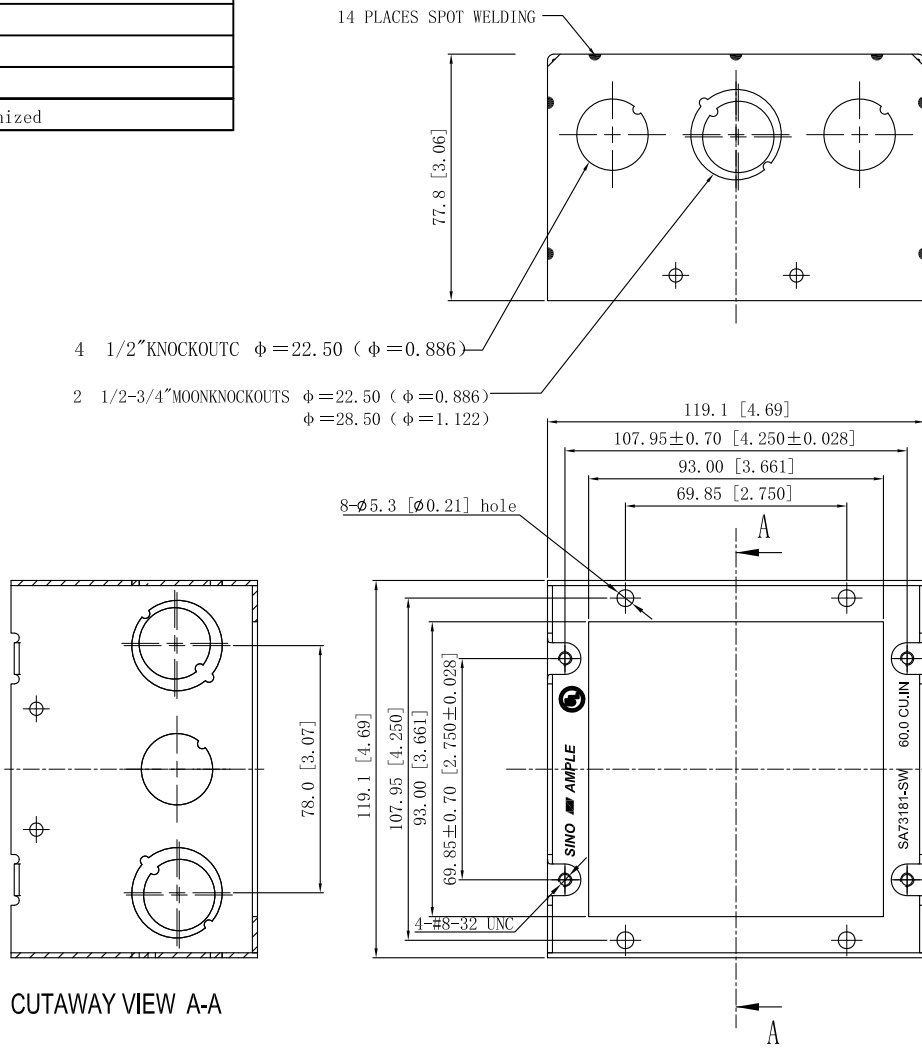


<b>SIDES</b>	<b>BOTTOM</b>
6 1/2" KNOCKOUTS	
6 1/2"-3/4" KNOCKOUTS	
2 PCS 8-32X1/2 Screws Installed	
Material: Steel-0.0625"-G60 Galvanized	



DESCRIPTION
TRADE REFERENCE TERMS

This data sheet is for reference only. SINO AMPLE reserves the right to make changes to the design without prior notice.

STANDARD PACKING	ZHUJI SINO AMPLE METAL PRODUCTS CO., LTD.		
	TITLE 4-11/16" SQUARE BOXES 3" DEEP		
25 PCS	SIZE	DWG NO.	REV
	A4	SA73181-SW	A
DATA SHEET			