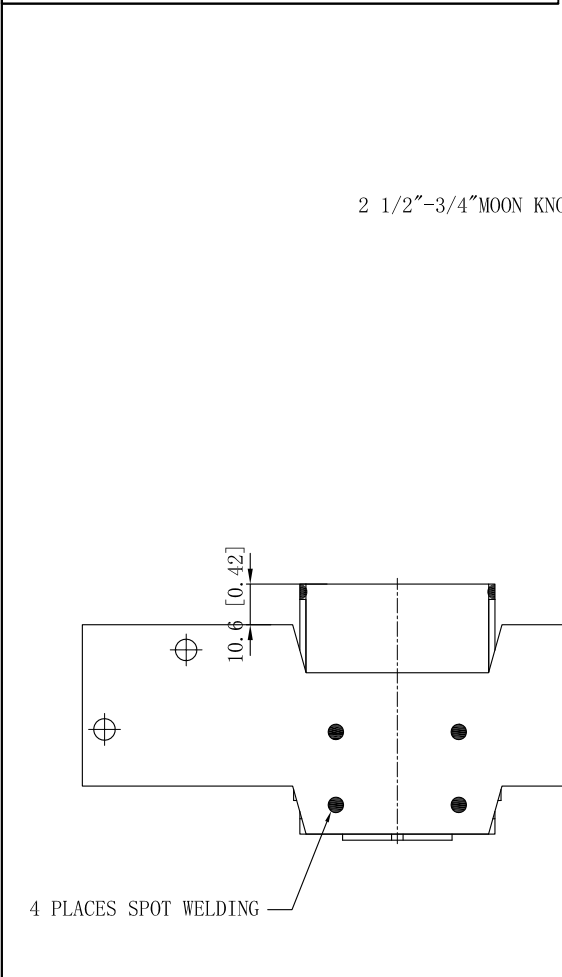
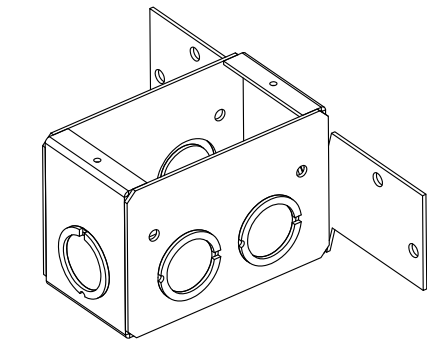
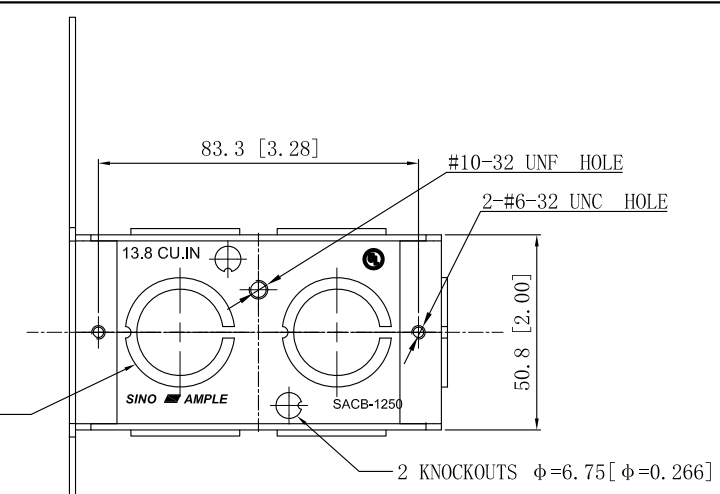


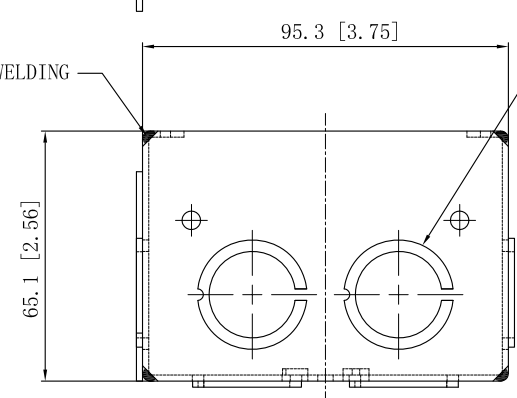
SIDES	BOTTOM
5 1/2"-3/4" MOON KNOCKOUTS	2 KNOCKOUTS
	2 1/2"-3/4" MOON KNOCKOUTS
Material: Steel-0.0625"-G60 Galvanized	



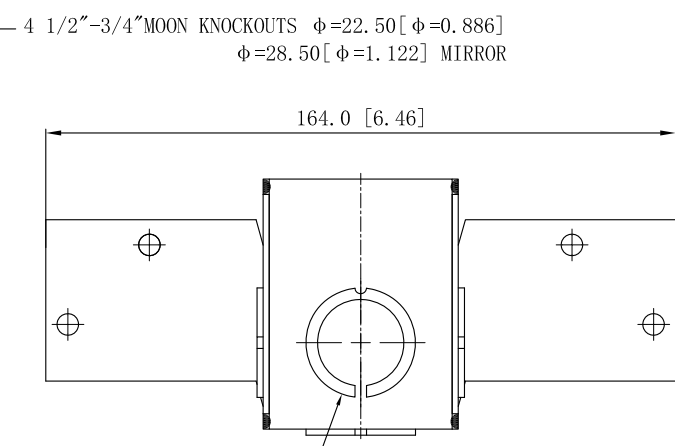
2 1/2"-3/4" MOON KNOCKOUTS $\phi = 22.50$ [$\phi = 0.886$]
 $\phi = 28.50$ [$\phi = 1.122$]



8 PLACES SPOT WELDING



1/2-3/4 MOON KNOCKOUTS $\phi = 22.5$ [$\phi = 0.89$]
 $\phi = 28.5$ [$\phi = 1.12$]



4 1/2"-3/4" MOON KNOCKOUTS $\phi = 22.50$ [$\phi = 0.886$]
 $\phi = 28.50$ [$\phi = 1.122$] MIRROR

This data sheet is for reference only .SINO AMPLE reserves the right to make changes to the design without prior notice.

DESCRIPTION
TRADE REFERENCE TERMS

STANDARD PACKING	ZHUJI SINO AMPLE METAL PRODUCTS CO., LTD.		
	TITLE SOLID MASONRY BOX 2-1/2" DEEP		
SIZE A4	DWG NO.	SACB-1250	REV A
DATA SHEET			