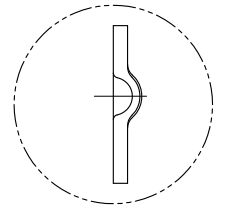
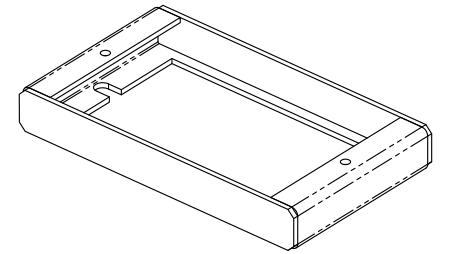
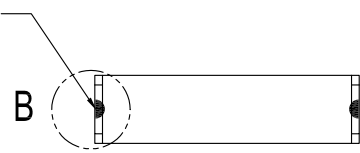
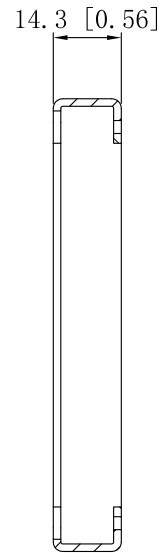
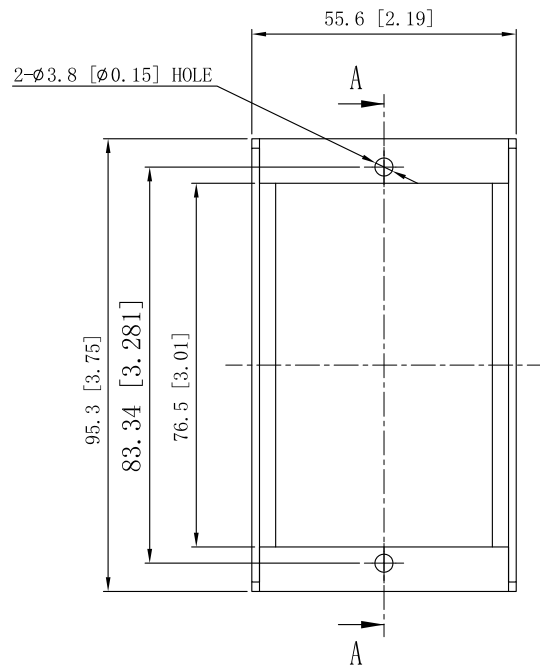


SIDES	BOTTOM
2 PCS #6-32×1-1/2 screws , per polybag	
Material:Steel-0.0625"-G60 Galvanized	

4 PLACES SPOT WELDING



WELDING STYLE DETAIL VIEW B



CUTAWAY VIEW A-A

This data sheet is for reference only .SINO AMPLE reserves the right to make changes to the design without prior notice.

DESCRIPTION
TRADE REFERENCE TERMS

STANDARD PACKING	ZHUJI SINO AMPLE METAL PRODUCTS CO., LTD.		
25 PCS	TITLE		REV
	SIZE	DWG NO.	A
	SADEX-150		
	DATA SHEET		