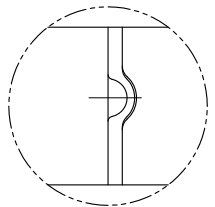
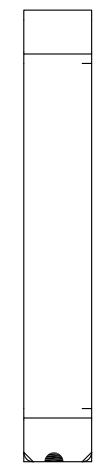
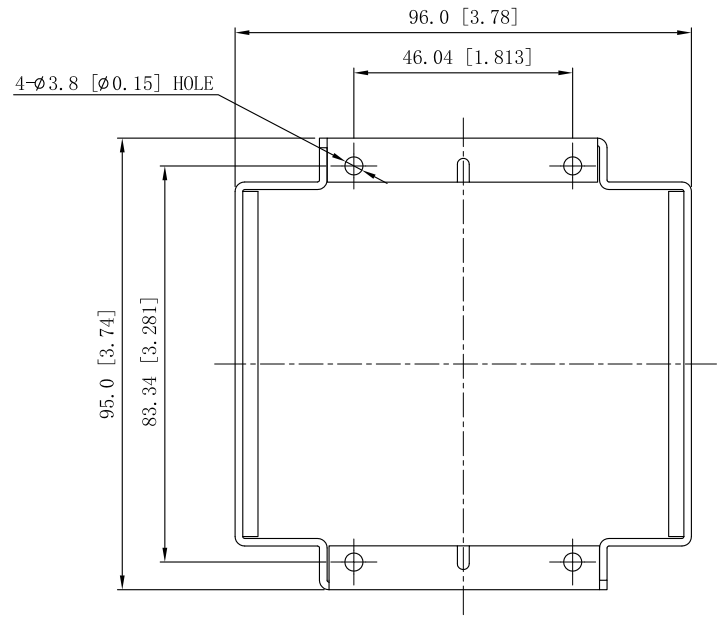
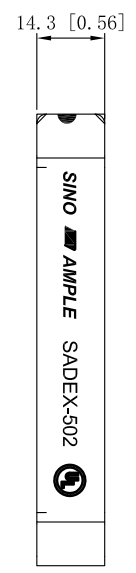
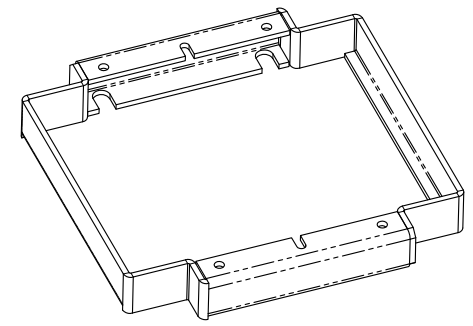
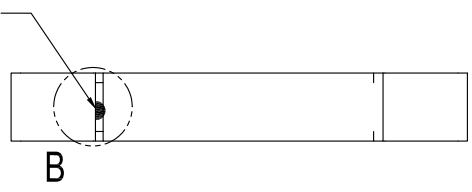


SIDES	BOTTOM
4 PCS #6-32×1-1/2 screws , per polybag	
Material:Steel-0.0625"-G60 Galvanized	



WELDING STYLE DETAIL VIEW B

2 PLACES SPOT WELDING



This data sheet is for reference only . SINO AMPLE reserves the right to make changes to the design without prior notice.

DESCRIPTION
TRADE REFERENCE TERMS

STANDARD PACKING	ZHUJI SINO AMPLE METAL PRODUCTS CO. , LTD.		
25 PCS	TITLE		
	SIZE A4	DWG NO. SADEX-250	REV A
DATA SHEET			