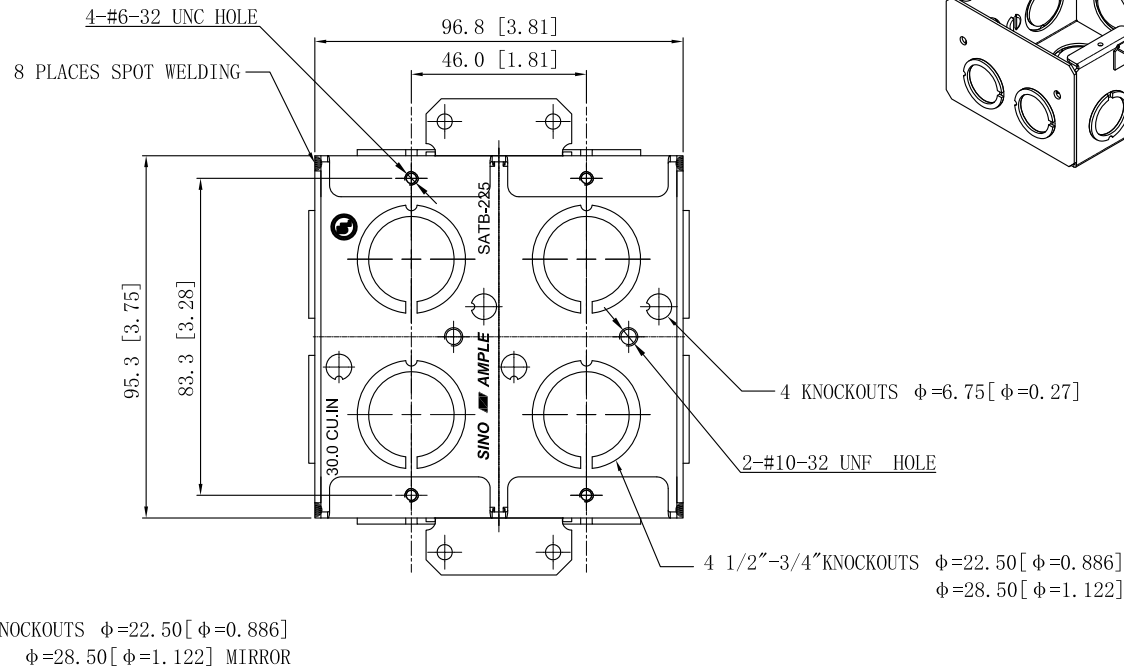
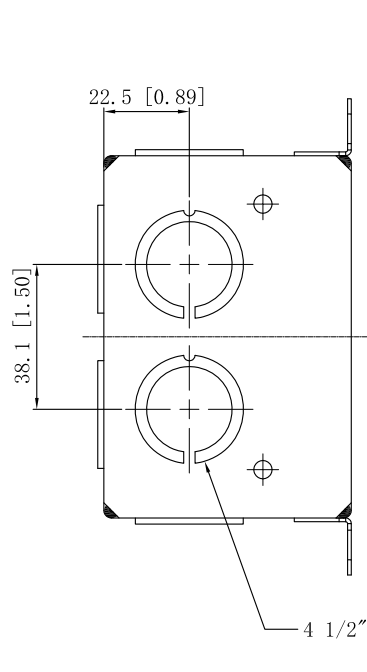
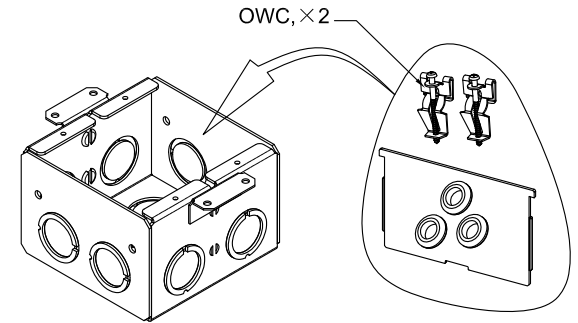
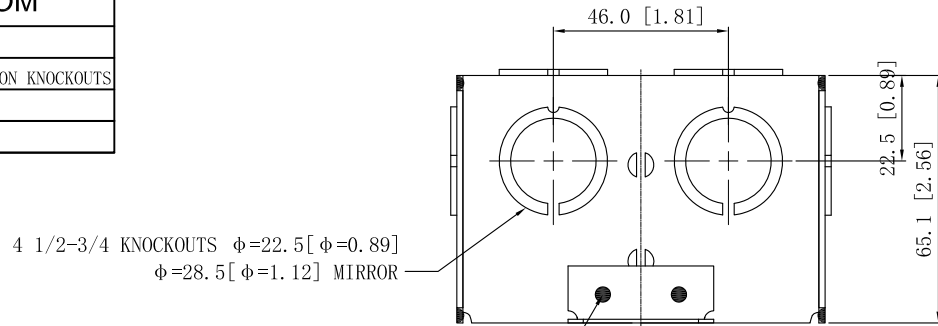


<b>SIDES</b>	<b>BOTTOM</b>
8 1/2"-3/4" MOON KNOCKOUTS	4 KNOCKOUTS
	4 1/2"-3/4" MOON KNOCKOUTS
Material: Steel-0.0625"-G60 Galvanized	



This data sheet is for reference only .SINO AMPLE reserves the right to make changes to the design without prior notice.

DESCRIPTION
TRADE REFERENCE TERMS

STANDARD PACKING
25 PCS

ZHUJI SINO AMPLE METAL PRODUCTS CO., LTD.		
TITLE		
SOLID MASONRY BOX 2-1/2" DEEP		
SIZE	DWG NO.	REV
A4	SADPB-20W	A
DATA SHEET		