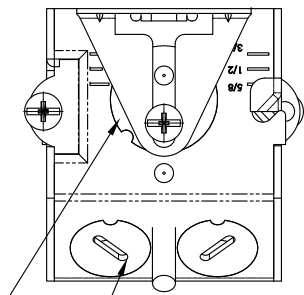
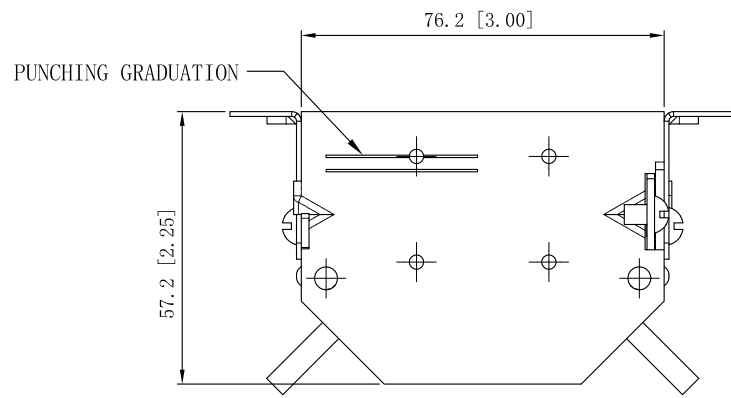
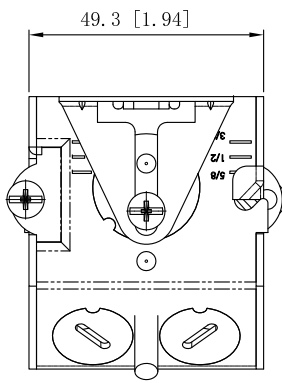
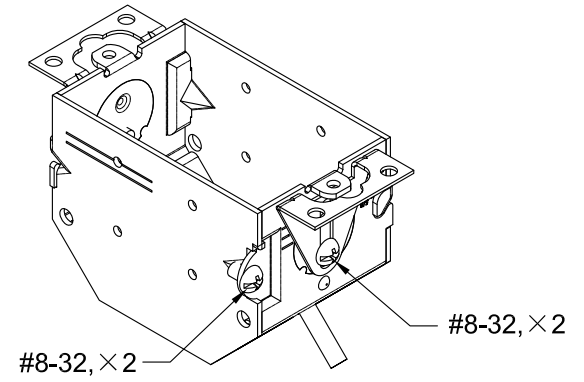
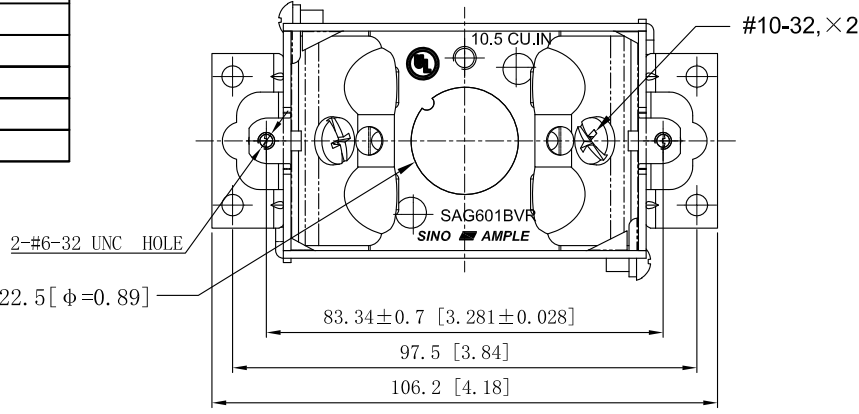


SIDES	BOTTOM
	1/2" KNOCKOUTS
	4 KNOCKOUTS
2pcs #8-32×5/32 zinc plated	
2pcs #8-32×3/16 zinc plated	
2pcs #10-32×7/8 zinc plated	
Material: Steel-0.0625"-G60 Galvanized	



2 1/2" KNOCKOUTS φ=22.5 [φ=0.89] MIRROR

4 KNOCKOUTS φ=16.9 [φ=0.67] MIRROR

This data sheet is for reference only. Sino Ample reserves the right to make changes to the design without prior notice.

DESCRIPTION
TRADE REFERENCE TERMS

STANDARD PACKING
50 PCS

TITLE			Zhuji Sino Ample Metal Products Co., Ltd.		
SIZE	DWG NO.		SAG601BVR		
A4			DATA SHEET		
					REV A