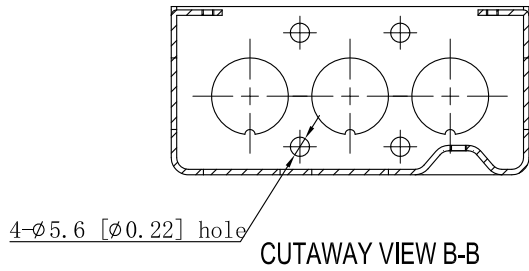
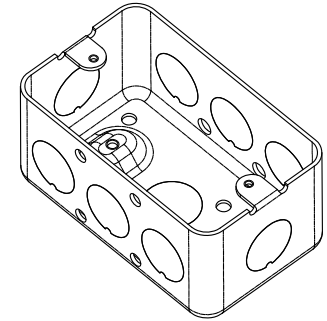
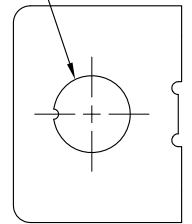


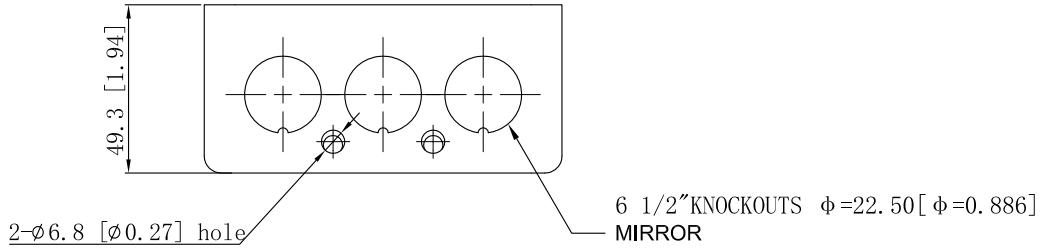
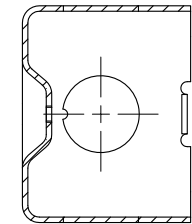
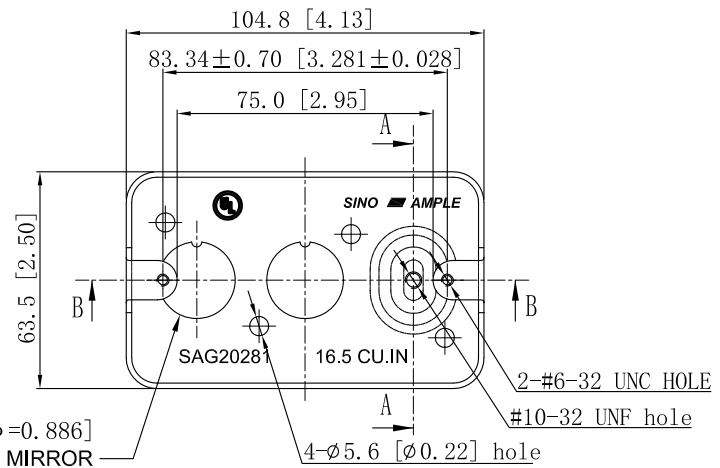
SIDES	BOTTOM
8 1/2" KNOCKOUTS	2 1/2" KNOCKOUTS
	1 Ground Hump
Material: Steel-0.0625"-G60 Galvanized	



2 1/2" KNOCKOUTS $\phi = 22.50$ [$\phi = 0.886$]
MIRROR



2 1/2" KNOCKOUTS $\phi = 22.50$ [$\phi = 0.886$]
MIRROR



This data sheet is for reference only .SINO AMPLE reserves the right to make changes to the design without prior notice.

DESCRIPTION
TRADE REFERENCE TERMS

STANDARD PACKING	ZHUJI SINO AMPLE METAL PRODUCTS CO., LTD.		
	TITLE HANDY UTILITY BOXES & EXTENSION RINGS		
25 PCS	SIZE	DWG NO.	REV
	A4	SAG20281	A
DATA SHEET			