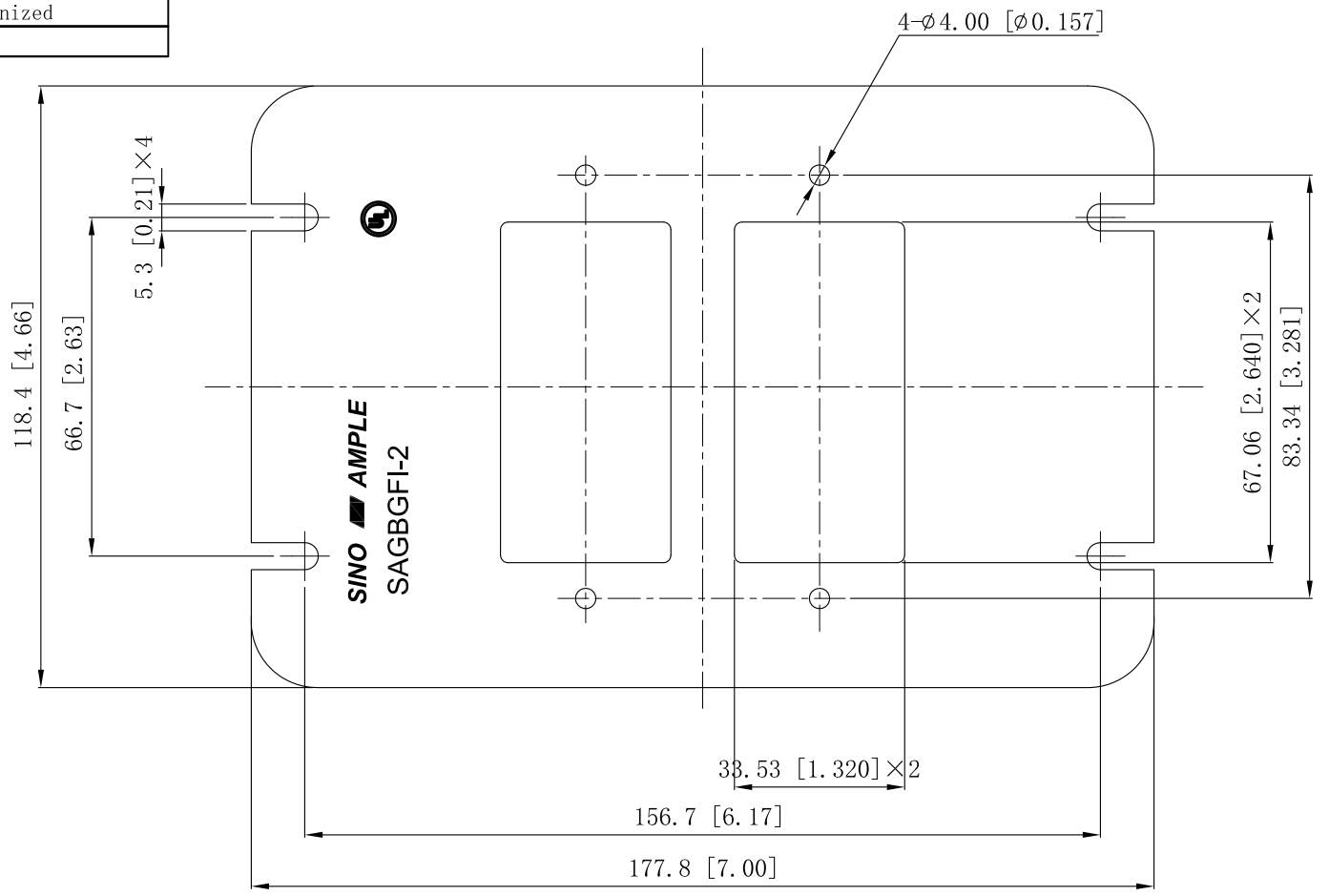


SIDES	BOTTOM
Material: Steel-0.0625"-G60 Galvanized	
4 Pcs #6-32 locknuts	



This data sheet is for reference only .SINO AMPLE reserves the right to make changes to the design without prior notice.

DESCRIPTION

STANDARD PACKING	ZHUJI SINO AMPLE METAL PRODUCTS CO., LTD.		
5 PCS	TITLE FLAT CFCI/DECORA MULTI-GANG BOX COVER		
	SIZE A4	DWG NO. SAGBGFI-2	REV A
	DATA SHEET		