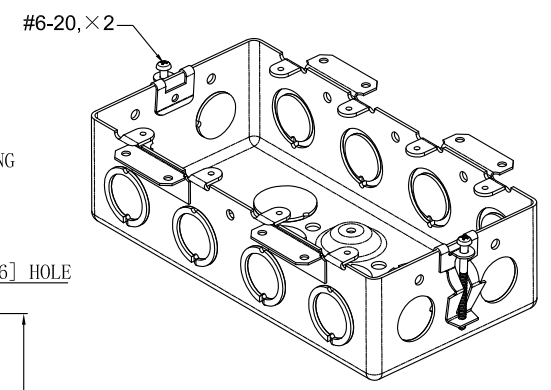
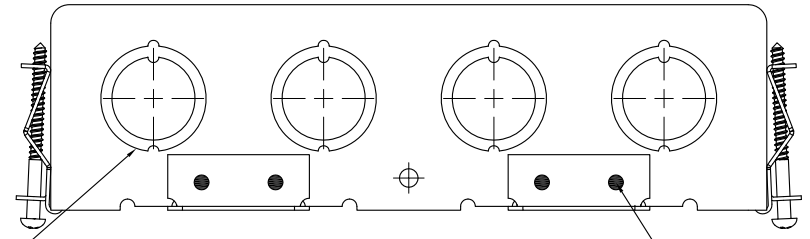
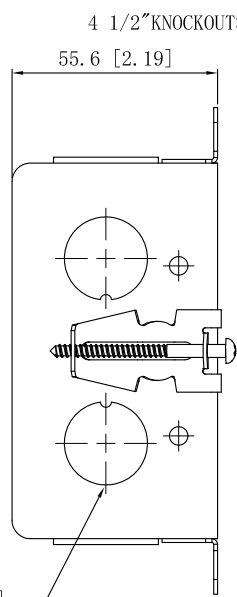


SIDES	BOTTOM
4 1/2" KNOCKOUTS	2 1/2" KNOCKOUTS
8 1/2"-3/4" MOON KNOCKOUTS	2 3/4" KNOCKOUTS
	1 Groud Hump
2 PCS #6-20×1-7/8 Tapping Screws Installed	
Material:Steel-0.0625"-G60 Galvanized	



8 1/2"-3/4"KNOCKOUTS  $\phi=22.5[\phi=0.89]$   
 $\phi=28.5[\phi=1.12]$

8 PLACES SPOT WELDING

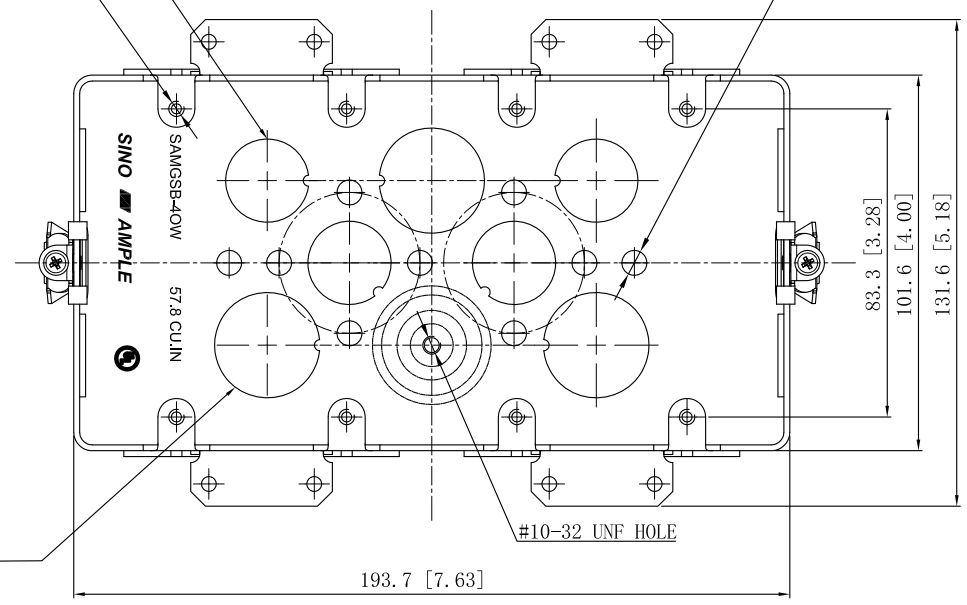


4 1/2"KNOCKOUTS  $\phi=22.5[\phi=0.89]$

2 3/4"KNOCKOUTS  $\phi=28.5[\phi=1.12]$

8-#6-32 UNC HOLE

9- $\phi 6.75[\phi 0.266]$  HOLE



This data sheet is for reference only .SINO AMPLE reserves the right to make changes to the design without prior notice.

DESCRIPTION
TRADE REFERENCE TERMS

STANDARD PACKING
20 PCS

TITLE		ZHUJI SINO AMPLE METAL PRODUCTS CO., LTD.	
SIZE		4-GANG SWITCH BOX 2-1/8"DEEP	
A4	DWG NO.	SAMGSB-40W	REV A
DATA SHEET			