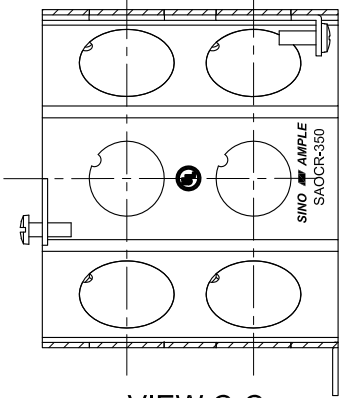
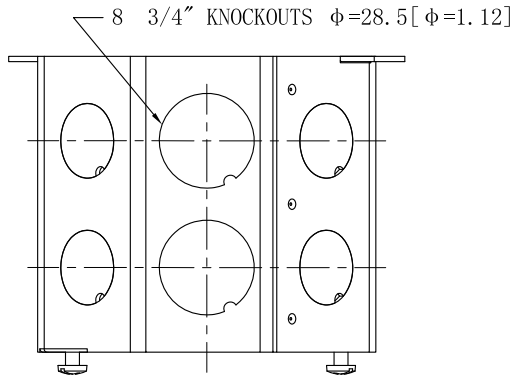
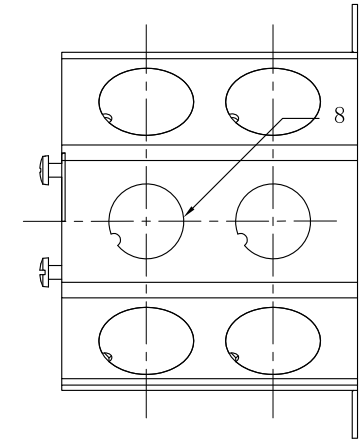
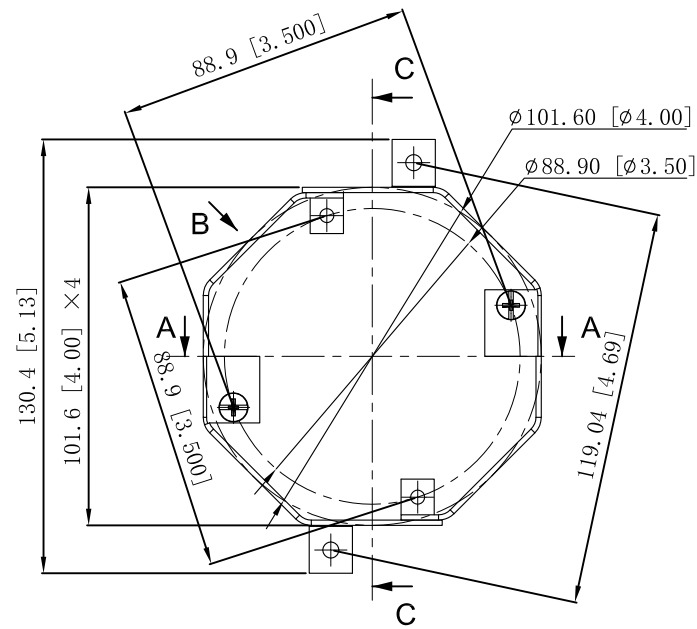


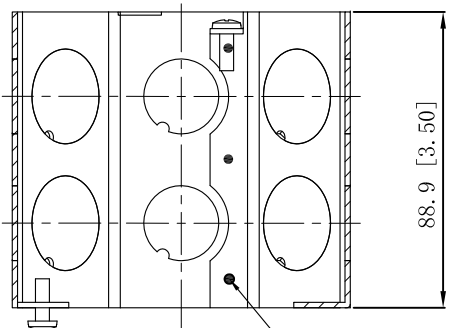
| | |
|--|--------|
| SIDES | BOTTOM |
| 8 1/2" KNOCKOUTS | |
| 8 3/4" KNOCKOUTS | |
| 4 PCS 8-32×1/2 Screws Installed | |
| Material: Steel-0.0625"-G60 Galvanized | |



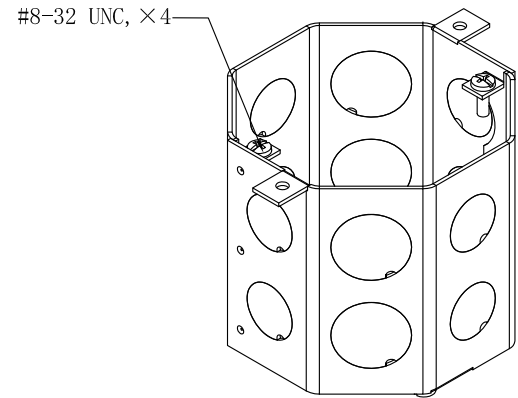
VIEW C-C



VIEW B



VIEW A-A



| |
|-----------------------|
| DESCRIPTION |
| |
| TRADE REFERENCE TERMS |
| |

This data sheet is for reference only .SINO AMPLE reserves the right to make changes to the design without prior notice.

| | | | |
|------------------|---|----------------------|----------|
| STANDARD PACKING | ZHUJI SINO AMPLE METAL PRODUCTS CO., LTD. | | |
| 20 PCS | TITLE OCTAGON CONCRETE RINGS | | |
| | SIZE A4 | DWG NO. SAOCR-350 | REV A |
| | DATA SHEET | | |