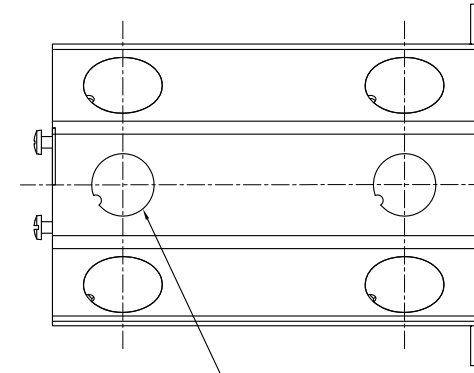
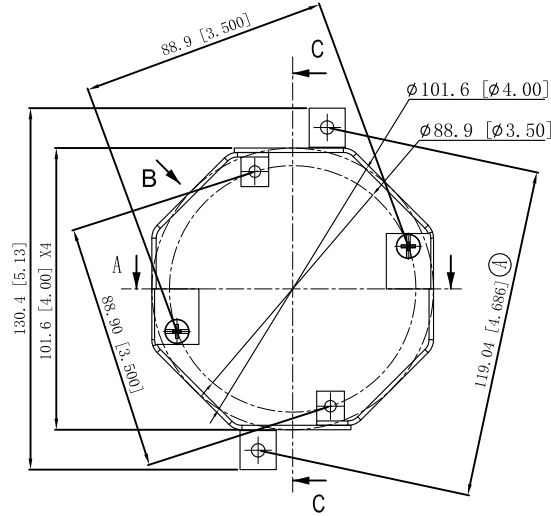
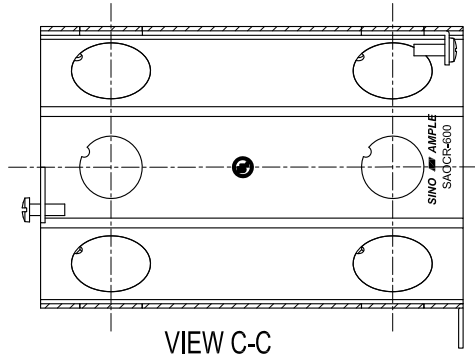
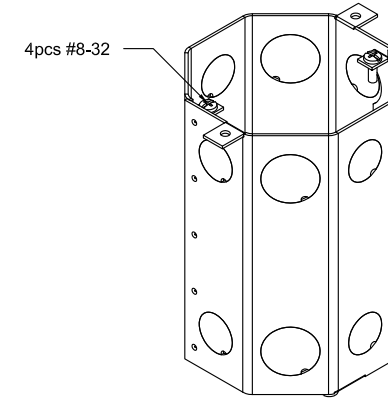
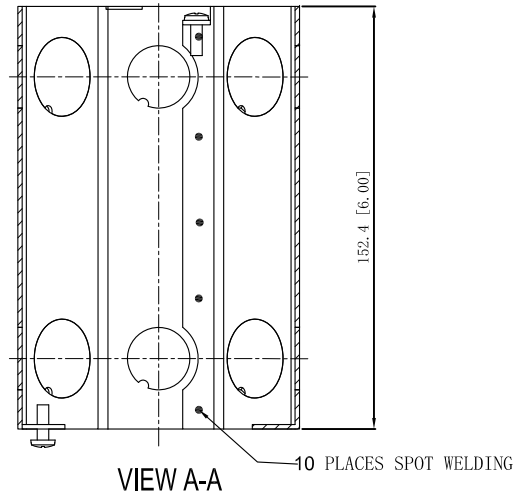
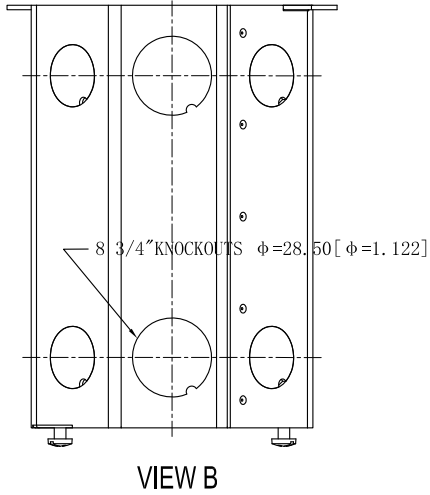


SIDES	BOTTOM
8 1/2" KNOCKOUTS	
8 3/4" KNOCKOUTS	
4 PCS 8-32x1/2 Screws Installed	
Material: Steel-0.0625"-G60 Galvanized	



8 1/2" KNOCKOUTS $\phi=22.50$ [$\phi=0.886$]



This data sheet is for reference only .SINO AMPLE reserves the right to make changes to the design without prior notice.

DESCRIPTION
TRADE REFERENCE TERMS

STANDARD PACKING	ZHUJI SINO AMPLE METAL PRODUCTS CO., LTD.		
	TITLE OCTAGON CONCRETE RINGS		
20 PCS	SIZE A4	DWG NO. SAOCR-600	REV A
	DATA SHEET		