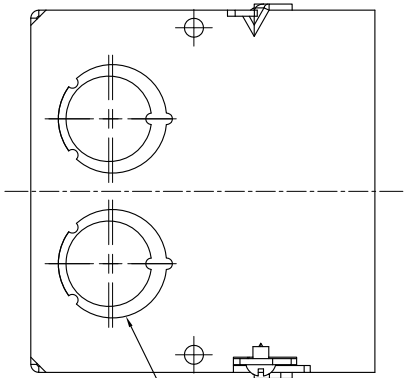
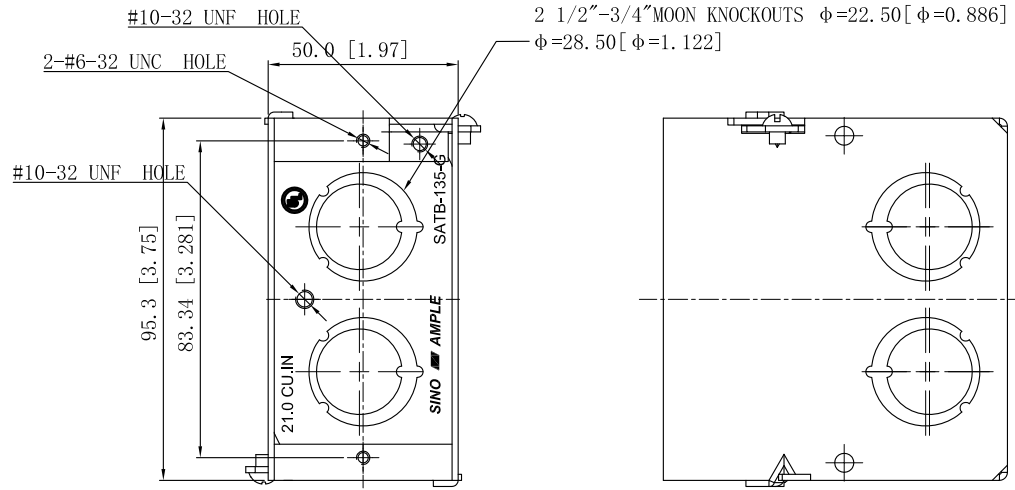
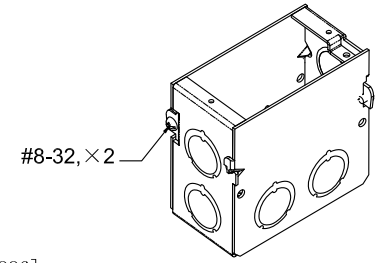
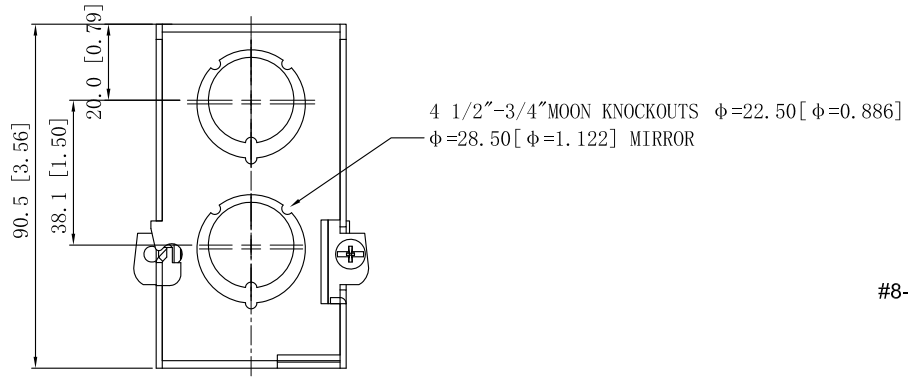


SIDES	BOTTOM
8 1/2"-3/4" MOON KNOCKOUTS	2 1/2"-3/4" MOON KNOCKOUTS
2 PCS 8-32x1/4 Screws Installed	
Material:Steel-0.0625"-G60 Galvanized	



4 1/2"-3/4"MOON KNOCKOUTS $\phi=22.50[\phi=0.886]$
 $\phi=28.50[\phi=1.122]$ MIRROR

This data sheet is for reference only . SINO AMPLE reserves the right to make changes to the design without prior notice.

DESCRIPTION
TRADE REFERENCE TERMS

STANDARD PACKING
20 PCS

ZHUJI SINO AMPLE METAL PRODUCTS CO., LTD.		
TITLE		
GANGABLE MASONRY BOX 3-1/2"DEEP		
SIZE	DWG NO.	REV
A4	SATB-135-G	A
DATA SHEET		