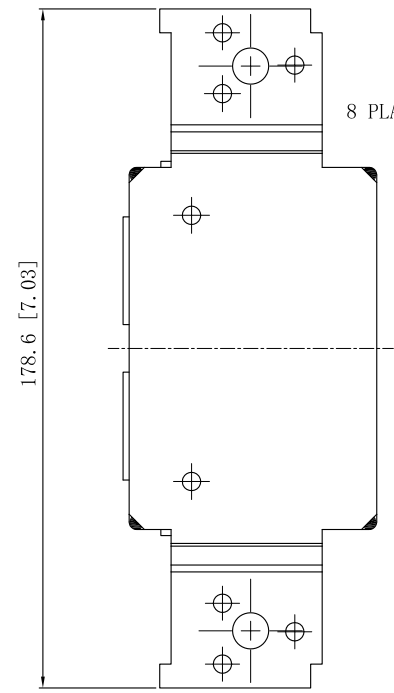
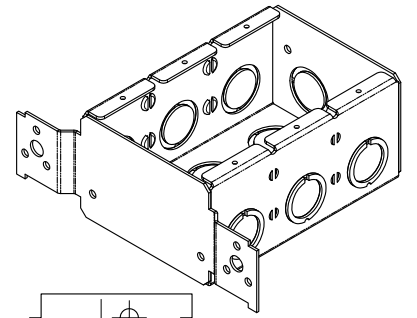
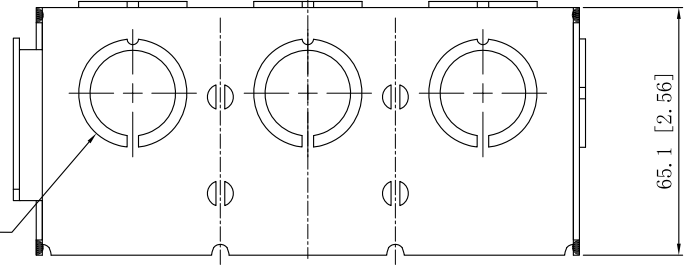
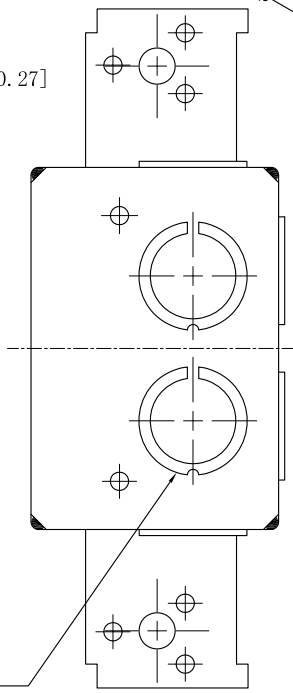
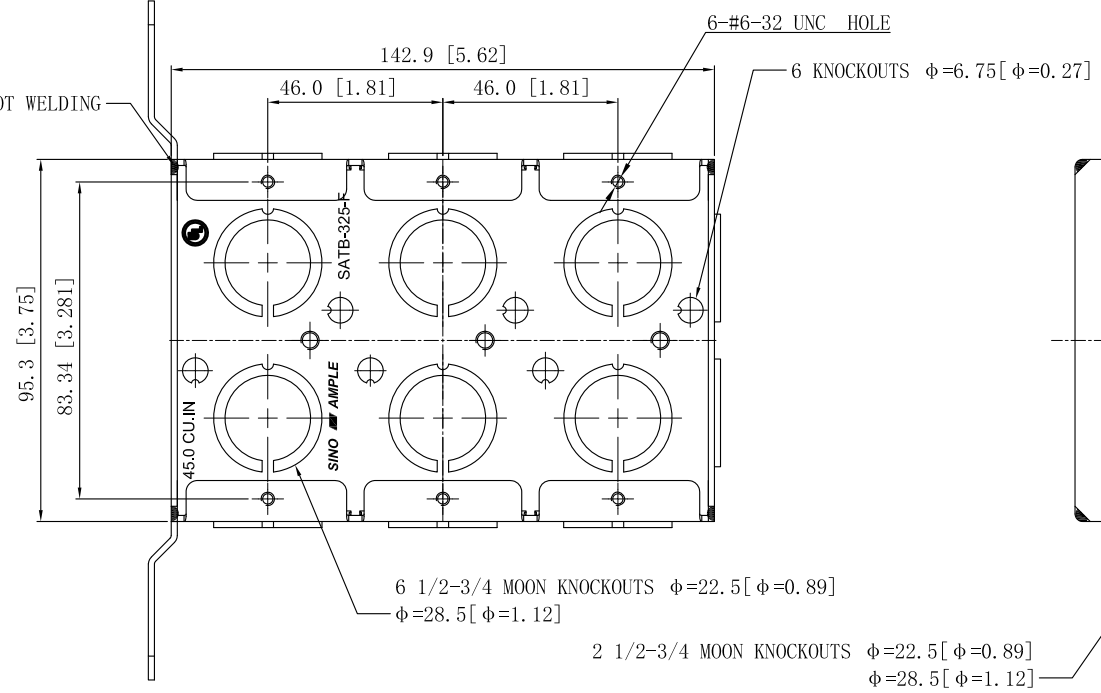


SIDES	BOTTOM
8 1/2"-3/4" MOON KNOCKOUTS	6 KNOCKOUTS
	6 1/2"-3/4" MOON KNOCKOUTS
Material: Steel-0.0625"-G60 Galvanized	

6 1/2"-3/4" MOON KNOCKOUTS $\phi=22.50$ [$\phi=0.886$]
 $\phi=28.50$ [$\phi=1.122$] MIRROR



8 PLACES SPOT WELDING



This data sheet is for reference only .SINO AMPLE reserves the right to make changes to the design without prior notice.

DESCRIPTION
TRADE REFERENCE TERMS

STANDARD PACKING	ZHUJI SINO AMPLE METAL PRODUCTS CO., LTD.		
5 PCS	TITLE SOLID MASONRY BOXS WITH "F" STYLE BRACKET		
	SIZE A4	DWG NO. SATB-325-F	REV A
	DATA SHEET		