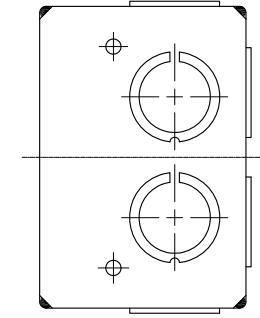
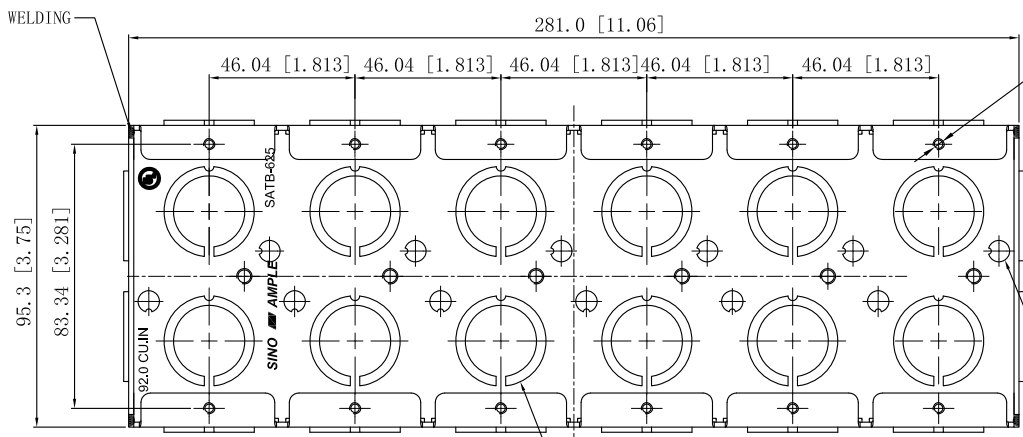
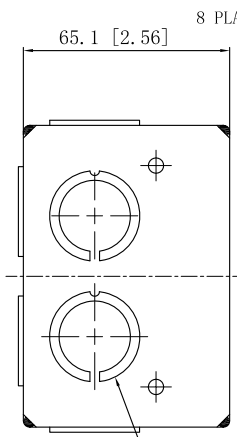
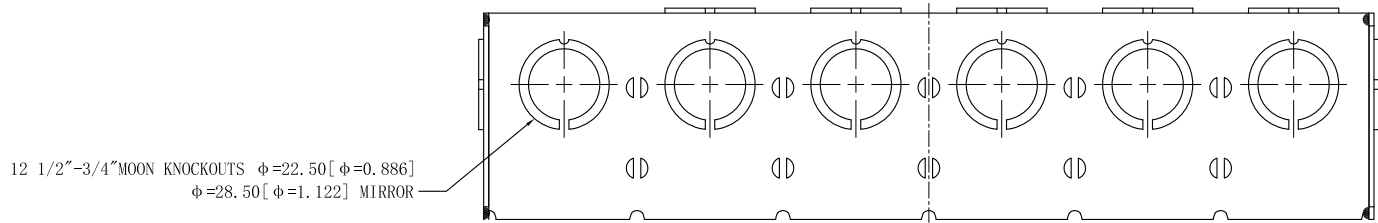
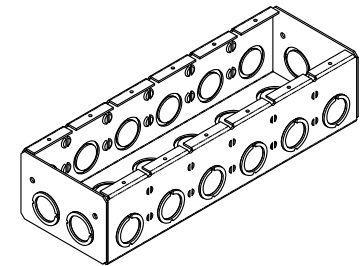


SIDES	BOTTOM
16 1/2"-3/4" MOON KNOCKOUTS	12 KNOCKOUTS
	12 1/2"-3/4" MOON KNOCKOUTS
Material:Steel-0.0625"-G60 Galvanized	



This data sheet is for reference only .SINO AMPLE reserves the right to make changes to the design without prior notice.

DESCRIPTION
TRADE REFERENCE TERMS

STANDARD PACKING	ZHUJI SINO AMPLE METAL PRODUCTS CO., LTD.		
	TITLE SOLID MASONRY BOX 2-1/2" DEEP		
1 PCS	SIZE	DWG NO.	REV
	A4	SATB-625	A
DATA SHEET			