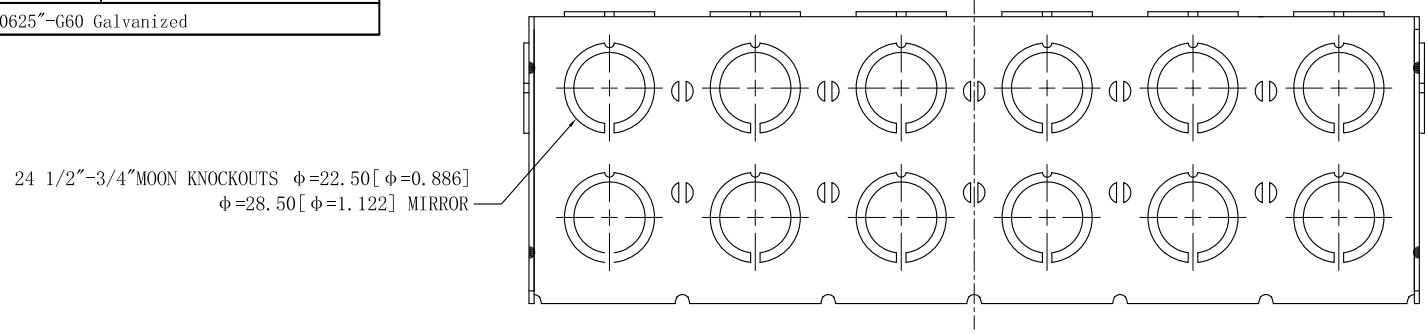
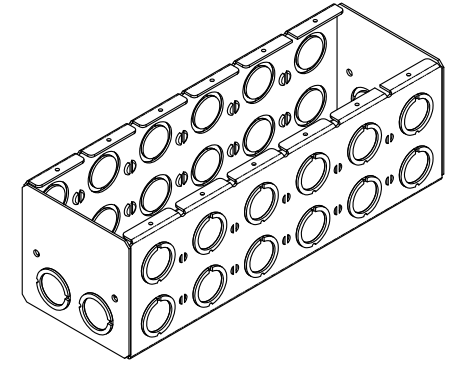
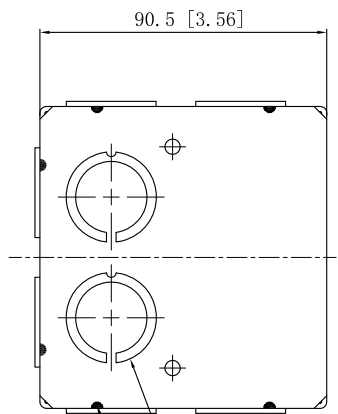


SIDES	BOTTOM
28 1/2"-3/4" MOON KNOCKOUTS	12 KNOCKOUTS
	12 1/2"-3/4" MOON KNOCKOUTS
Material: Steel-0.0625"-G60 Galvanized	

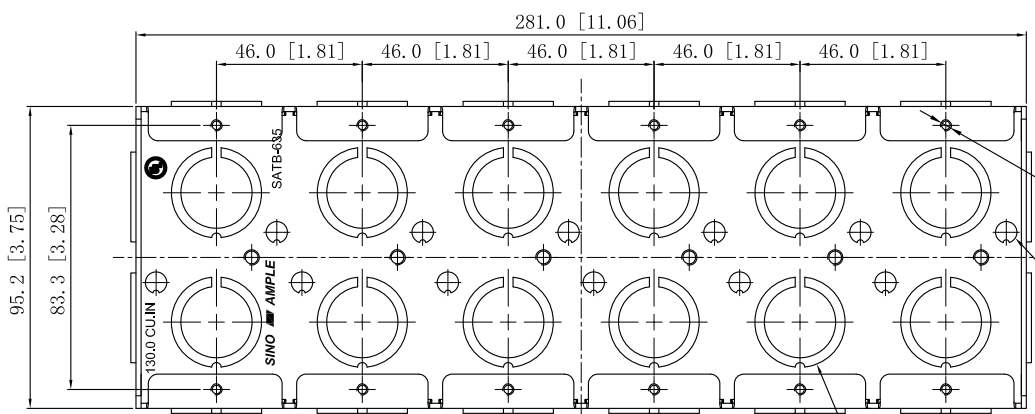


24 1/2"-3/4" MOON KNOCKOUTS $\phi=22.50[\phi=0.886]$
 $\phi=28.50[\phi=1.122]$ MIRROR



4 1/2"-3/4" MOON KNOCKOUTS $\phi=22.50[\phi=0.886]$
 $\phi=28.50[\phi=1.122]$ MIRROR

12 PLACES SPOT WELDING



12-#6-32 UNC HOLE

12 KNOCKOUTS $\phi=6.75[\phi=0.27]$

12 1/2"-3/4" MOON KNOCKOUTS $\phi=22.50[\phi=0.886]$
 $\phi=28.50[\phi=1.122]$

This data sheet is for reference only .SINO AMPLE reserves the right to make changes to the design without prior notice.

DESCRIPTION
TRADE REFERENCE TERMS

STANDARD PACKING	ZHUJI SINO AMPLE METAL PRODUCTS CO., LTD.		
1 PCS	TITLE SOLID MASONRY BOX 3-1/2" DEEP		
	SIZE A4	DWG NO. SATB-635	REV A
	DATA SHEET		