

UL File #

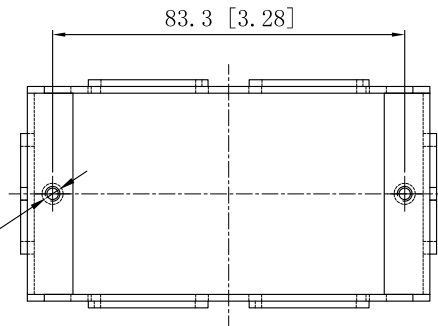
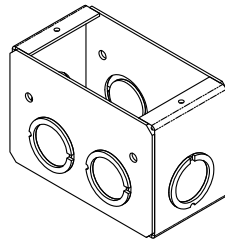
E508835

SIDES

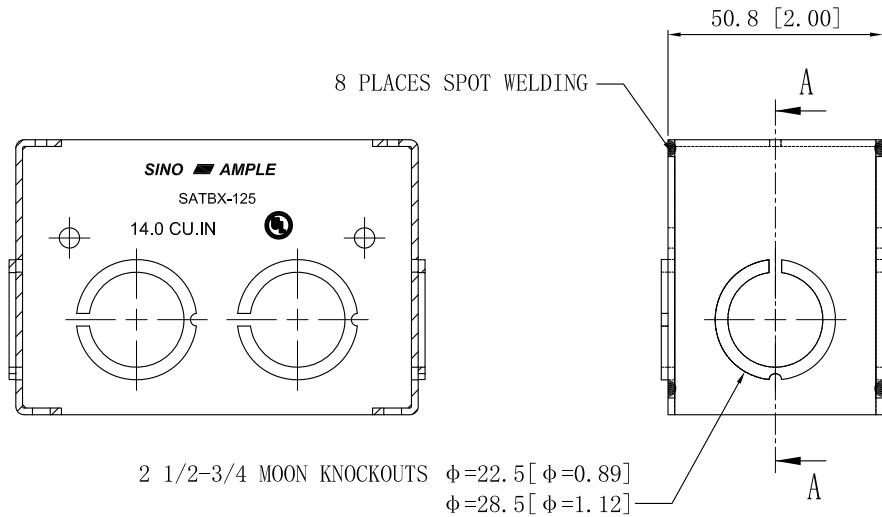
BOTTOM

6 1/2"-3/4" MOON KNOCKOUTS

Material: Steel-0.0625"-G60 Galvanized



2-#6-32 UNC HOLE



8 PLACES SPOT WELDING

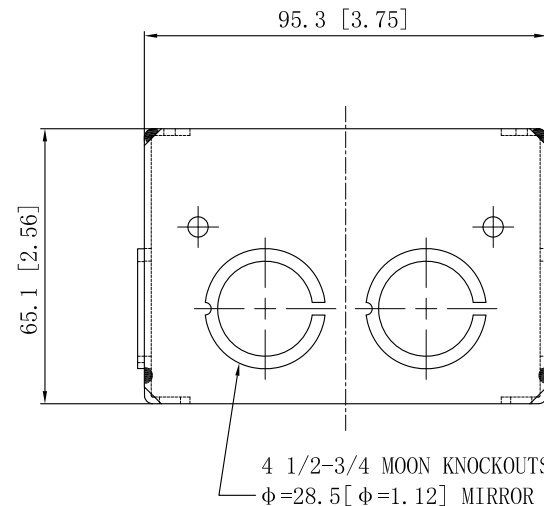
SINO AMPLE

SATBX-125

14.0 CU. IN

2 1/2"-3/4" MOON KNOCKOUTS $\phi=22.5[\phi=0.89]$
 $\phi=28.5[\phi=1.12]$

CUTAWAY VIEW A-A



4 1/2"-3/4" MOON KNOCKOUTS $\phi=22.5[\phi=0.89]$
 $\phi=28.5[\phi=1.12]$ MIRROR

This data sheet is for reference only .SINO AMPLE reserves the right to make changes to the design without prior notice.

DESCRIPTION

TRADE REFERENCE TERMS

STANDARD PACKING

20 PCS

ZHUJI SINO AMPLE METAL PRODUCTS CO., LTD.

TITLE

SOLID MASONRY BOX 2-1/2" DEEP

SIZE

A4

DWG NO.

SATBX-125

REV

A

DATA SHEET