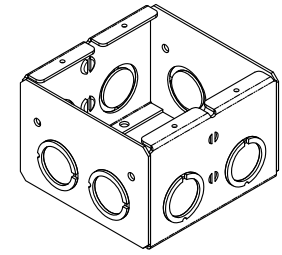
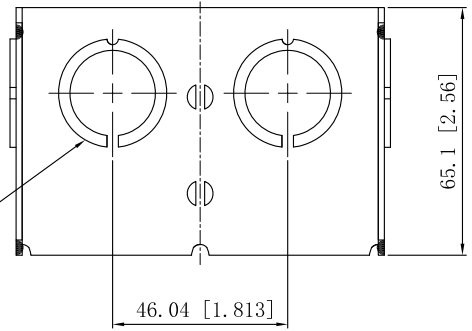
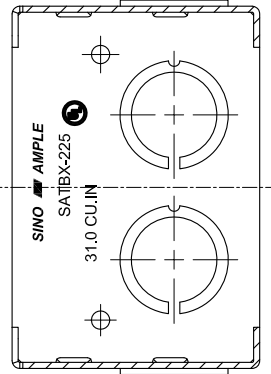


| | |
|---------------------------------------|--------|
| SIDES | BOTTOM |
| 8 1/2"-3/4" MOON KNOCKOUTS | |
| | |
| | |
| Material:Steel-0.0625"-G60 Galvanized | |

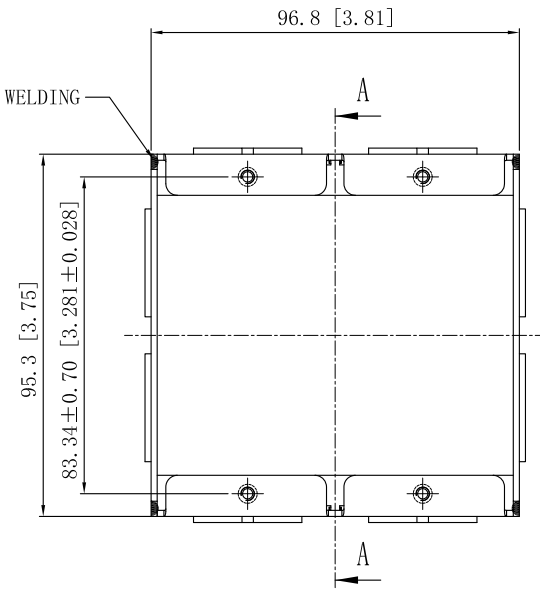
4 1/2-3/4 KNOCKOUTS $\phi=22.5$ [$\phi=0.89$]
 $\phi=28.5$ [$\phi=1.12$] MIRROR



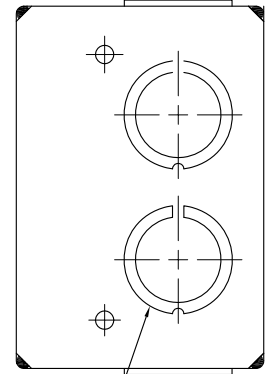
8 PLACES SPOT WELDING



CUTAWAY VIEW A-A



4 1/2-3/4 KNOCKOUTS $\phi=22.5$ [$\phi=0.89$]
 $\phi=28.5$ [$\phi=1.12$] MIRROR



This data sheet is for reference only .SINO AMPLE reserves the right to make changes to the design without prior notice.

| |
|-----------------------|
| DESCRIPTION |
| |
| TRADE REFERENCE TERMS |
| |

| |
|------------------|
| STANDARD PACKING |
| 10 PCS |

| | | |
|---|----------------------|----------|
| ZHUJI SINO AMPLE METAL PRODUCTS CO., LTD. | | |
| TITLE SOLID MASONRY BOX 2-1/2"DEEP | | |
| SIZE A4 | DWG NO. SATBX-225 | REV A |
| DATA SHEET | | |