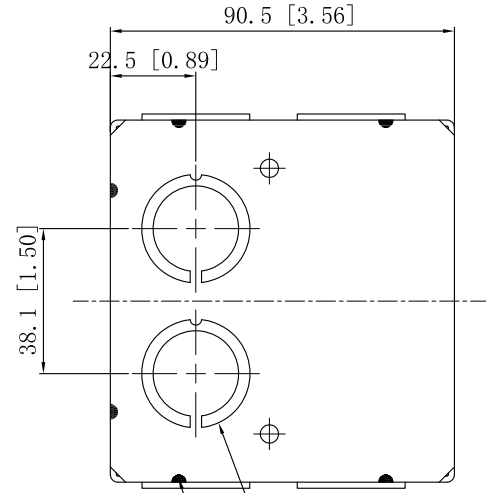
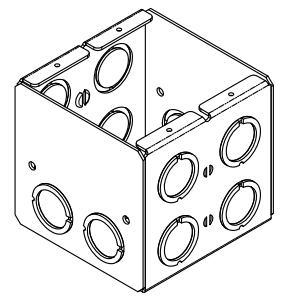
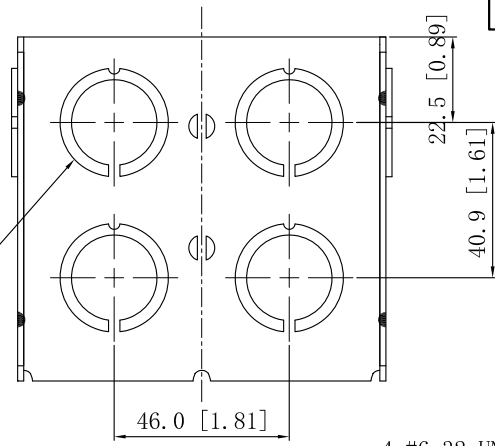


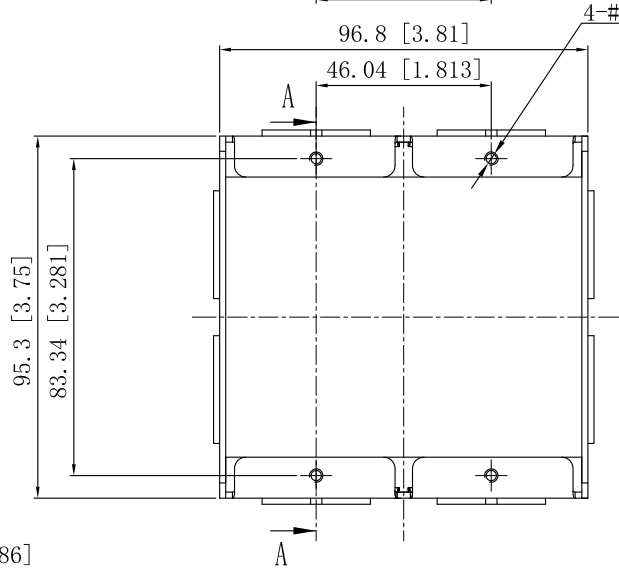
SIDES	BOTTOM
12 1/2"-3/4" MOON KNOCKOUTS	
Material: Steel-0.0625"-G60 Galvanized	

8 1/2"-3/4" MOON KNOCKOUTS $\phi=22.50$ [$\phi=0.886$]
 $\phi=28.50$ [$\phi=1.122$] MIRROR

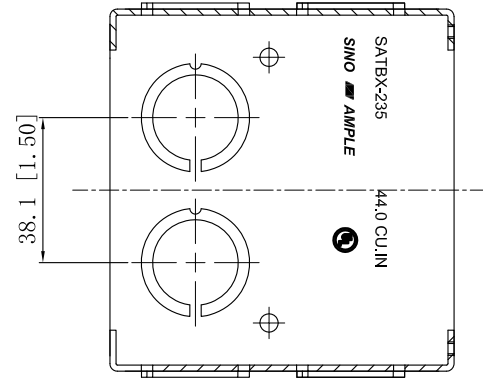


4 1/2"-3/4" MOON KNOCKOUTS $\phi=22.50$ [$\phi=0.886$]
 $\phi=28.50$ [$\phi=1.122$] MIRROR

12 PLACES SPOT WELDING



4-#6-32 UNC HOLE



CUTAWAY VIEW A-A

This data sheet is for reference only . SINO AMPLE reserves the right to make changes to the design without prior notice.

DESCRIPTION
TRADE REFERENCE TERMS

STANDARD PACKING
25 PCS

ZHUJI SINO AMPLE METAL PRODUCTS CO., LTD.		
TITLE SOLID MASONRY BOX 3-1/2" DEEP		
SIZE A4	DWG NO. SATBX-235	REV A
DATA SHEET		