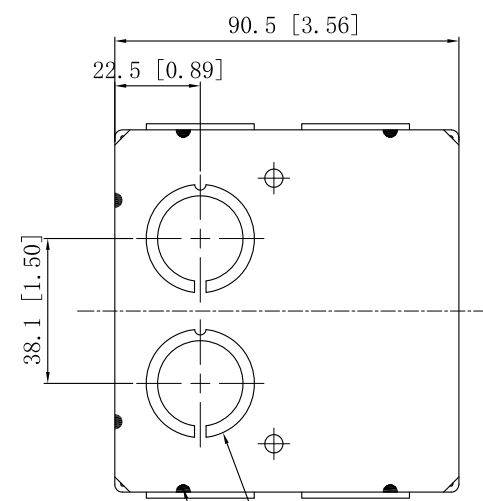
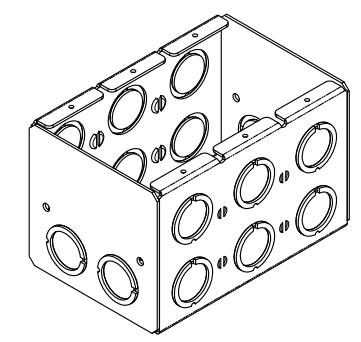
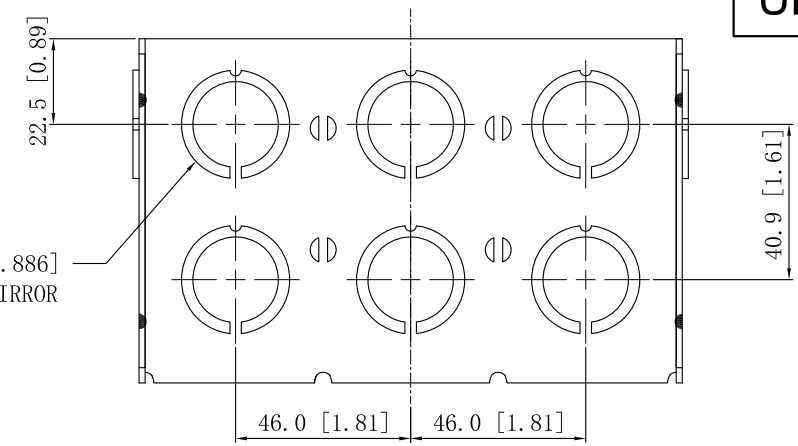


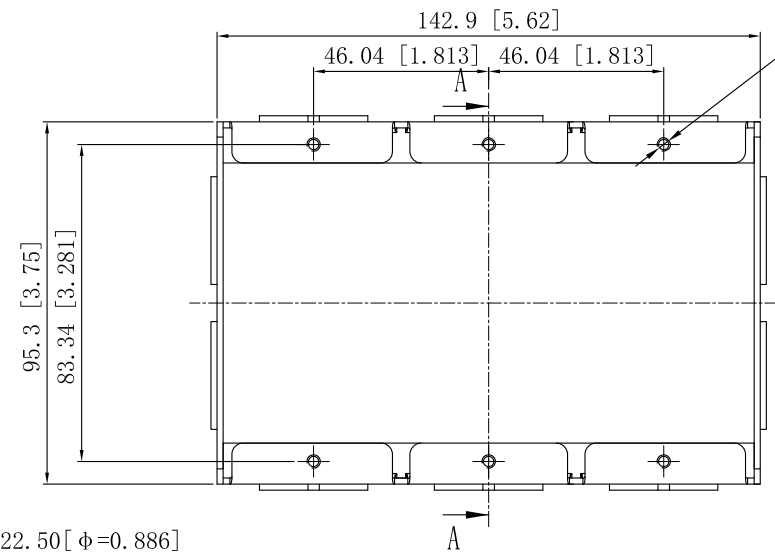
SIDES	BOTTOM
16 1/2"-3/4" MOON KNOCKOUTS	
Material: Steel-0.0625"-G60 Galvanized	

12 1/2"-3/4" MOON KNOCKOUTS  $\phi=22.50$  [ $\phi=0.886$ ]  
 $\phi=28.50$  [ $\phi=1.122$ ] MIRROR

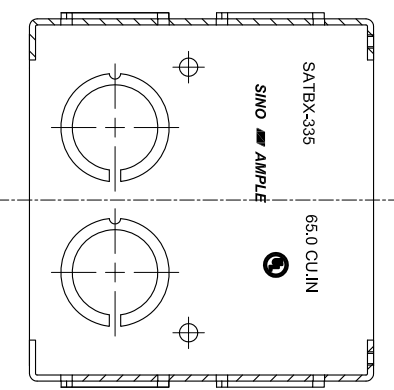


4 1/2"-3/4" MOON KNOCKOUTS  $\phi=22.50$  [ $\phi=0.886$ ]  
 $\phi=28.50$  [ $\phi=1.122$ ] MIRROR

12 PLACES SPOT WELDING



6-#6-32 UNC HOLE



CUTAWAY VIEW A-A

This data sheet is for reference only .SINO AMPLE reserves the right to make changes to the design without prior notice.

DESCRIPTION
TRADE REFERENCE TERMS

STANDARD PACKING	ZHUJI SINO AMPLE METAL PRODUCTS CO., LTD.		
5 PCS	TITLE SOLID MASONRY BOX 3-1/2" DEEP		
	SIZE A4	DWG NO. SATBX-335	REV A
	DATA SHEET		