

SIDES

BOTTOM

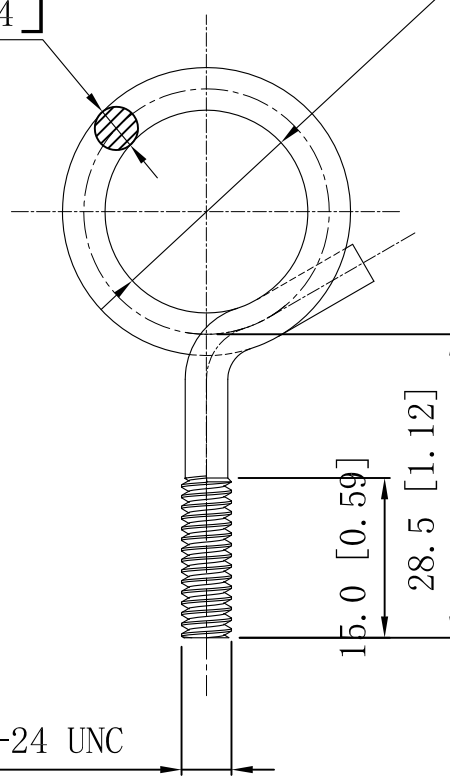
UL File #

E510054

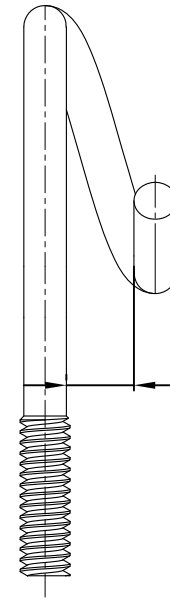
Material: Steel-0.16"-(C1008-C1018) Zinc Plated

$\phi 4.06-0.06$ $\left[\begin{matrix} +0.02 \\ +0.0008 \\ \phi 0.160-0.0024 \end{matrix} \right]$

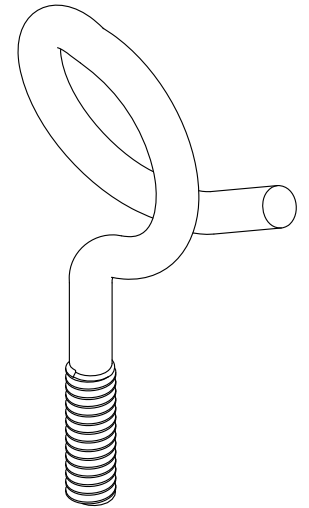
$\phi 19.05$ [$\phi 0.750$] ▲



▲ #10-24 UNC



6.3 [0.25] ▲



DESCRIPTION

TRADE REFERENCE TERMS

This data sheet is for reference only . SINO AMPLE reserves the right to make changes to the design without prior notice.

STANDARD PACKING

100 PCS

ZHUJI SINO AMPLE METAL PRODUCTS CO. , LTD.

TITLE

MACHINE-SCREW BRIDLE RIGS

SIZE

A4

DWG NO.

SABR-751024

REV

A

DATA SHEET